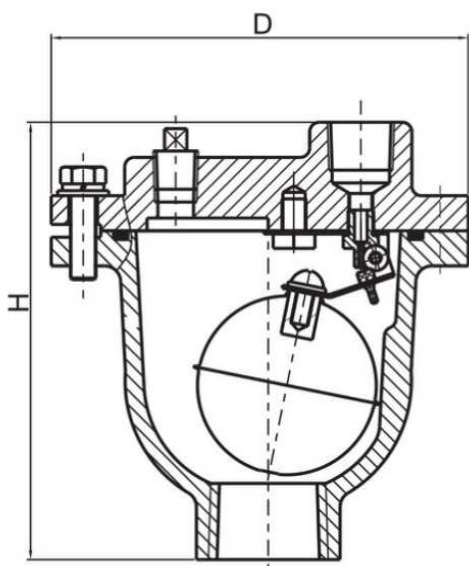


# Air Release Valve

Screwed

AFF-AV-97N



**Working pressure**  
200PSI

**Connection Ends**  
NPT/BSPT/BSPP

### Materials List

Part	Material	ASTM Spec.
Body	Ductile Iron	A536 65-45-12
Cover	Ductile Iron	A536 65-45-12
Level	Stainless Steel	AISI 304
Seat Ring	Stainless Steel	AISI 304
Float	Stainless Steel	AISI 304
Float Arm	Stainless Steel	AISI 304
Orifice Button	Viton	Commercial

### Dimensions

mm	DN		Inlet	Outle	Orifice	D	H
	inch						
15	1/2		15	15	1.6	125	137
20	3/4		20	15	1.6	125	137
25	1		25	15	1.6	125	137