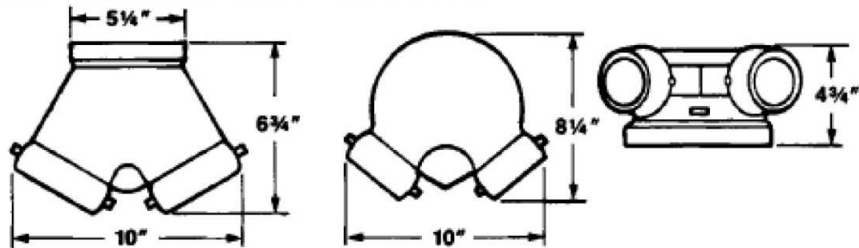


MODEL DIMENSIONS

TWO-WAY WITH SINGLE CLAPPER





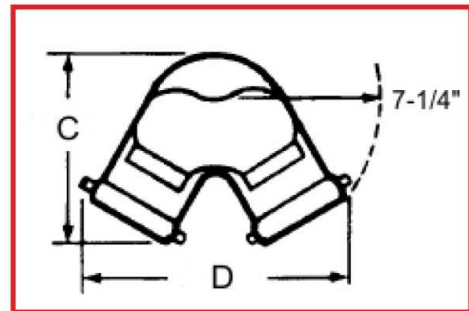
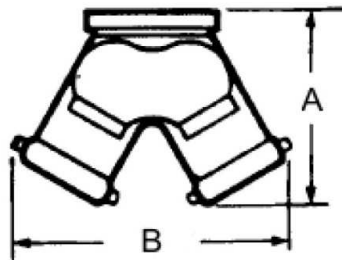
UL Listed File #EX4078
Model #S201B

MODEL 5710 - 5715



TWO-WAY WITH DOUBLE CLAPPER

Outlet	Approvals	Outlet	Approvals	Size	A	B	C	D
Back Model No.	 #EX3314	Angle Model No.	 #EX3314					
5721	Yes	5731	Yes	4 x 2-1/2 x 2-1/2	7-1/2	11-1/2	8-1/2	11-1/2
5722	Yes	5732	Yes	6 x 2-1/2 x 2-1/2	9-1/2	10-1/2	9	10-3/4
5723	Yes	5733	Yes	4 x 3 x 3	9-1/2	11-1/2	9-1/2	11
5724	Yes	5734	Yes	6 x 3 x 3	10	11	10-1/2	11



MODEL 5721 - 5734

UL Listed File #EX3314
Model #A105

Call Potter Roemer - Fire Pro for current listings and approvals. Dimensions are subject to manufacturer's tolerance and may change without notice. Potter Roemer-Fire Pro assumes no responsibility for use of void or superceded data. © Copyright Potter Roemer- Fire Pro, Member of Morris Group International™ Please visit potterroemer.com for most current specifications.

5710-5734 SERIES Date: 12/11/18

MEMBERSHIP



FIRE EQUIPMENT
MANUFACTURERS'
ASSOCIATION



POTTER ROEMER/FIRE PRO

Headquarters:
P.O. Box 3527
City of Industry, CA
91744 U.S.A.
Los Angeles Area
800-366-3473
626-855-4890

Also in:
New York (800) 526-4592
Chicago (800) 547-3473
Atlanta (800) 762-0542
Miami (866) 961-3473
Dallas (866) 644-3473

www.potterroemer.com