

Pressure Gauge

Model 7500

WWW.AGFMANUFACTURING.COM

The AGF Manufacturing Pressure Gauge Model 7500 is a 4" FM Approved and UL Listed pressure gauge designed for use on wet fire sprinkler systems. The Model 7500 is designed to meet the requirements specified in NFPA 13.

Size:

4"

1. M7500 Pressure Gauge
2. M7600 Universal Valve (sold separately)
3. M7500 Pressure Gauge with M7600 Universal Valve

Specifications

Accuracy Class

±3/2/3% of span (ASME B40.100 Grade B)

Operating Temperatures

Ambient: -40° F to 140° F (-40° C to 60° C)

Media: 140° F (+60° C) maximum

Pressure Connection

Material: Copper Alloy

1/4" NPT Lower Mount (LM)

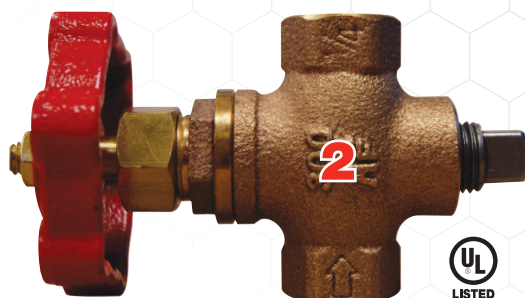
Materials:

Dial: White Aluminum with stop pin

Pointer: Black Aluminum

Case: Black Polycarbonate

Window: Snap-In Clear Polycarbonate

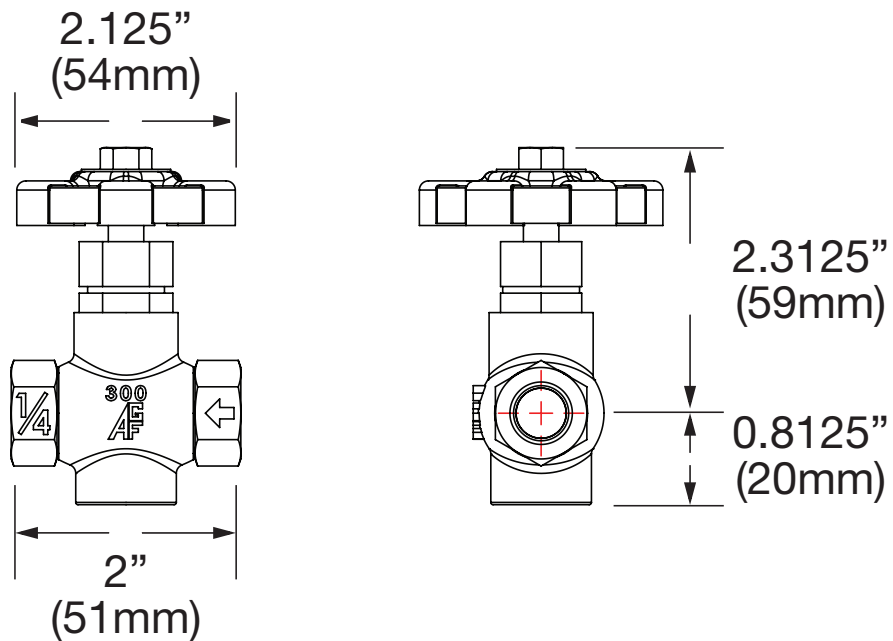
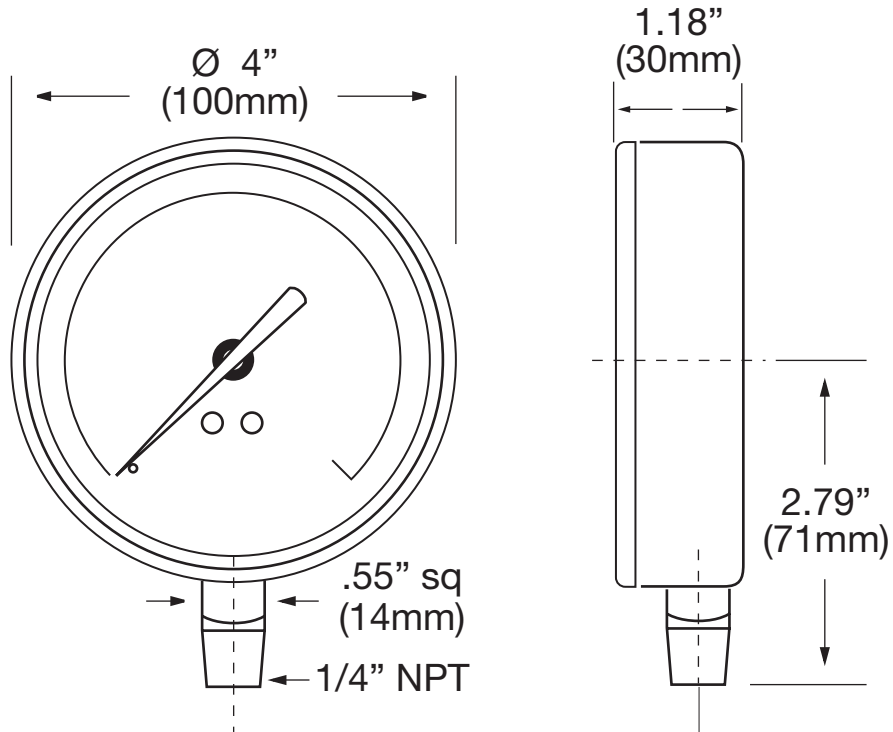


The Model 7600 is a UL Listed, 1/4" 3-Way Universal Valve designed to connect the pressure gauge to the sprinkler system. The M7600 has been designed to meet NFPA 13 System Attachments stating: "...each gauge shall be equipped with a shutoff valve and provision for drainage." The M7600 3-Way Universal Valve is sold separately.



Reliability, Versatility, Code Compatibility

Dimensions



Patent Pending



AGF Manufacturing Inc.
100 Quaker Lane, Malvern, PA 19355
Phone: 610-240-4900
Fax: 610-240-4906
www.agfmanufacturing.com

Job Name: _____

Architect: _____

Engineer: _____

Contractor: _____