

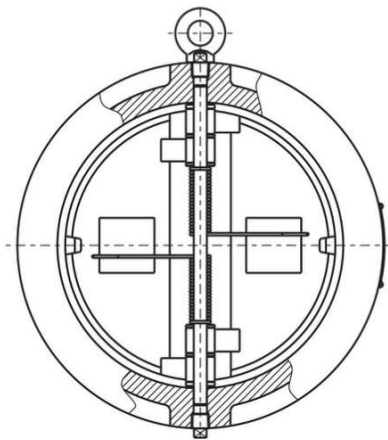
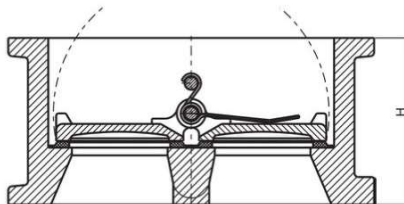


Fire Solutions

# Check Valve

Resilient Seated Wafer Ends

AFF-DP-50W-300  
AFF-DP-50W-250  
AFF-DP-50W-200



### Valve Standard

Conforms to API 594

### Working pressure

200PSI / 250PSI / 300PSI

### Flanged Ends

ANSI B16.1 Class125/150

### Materials List

Part	Material	ASTM Spec.
Body	Cast Iron	A126 Class B
	Ductile Iron	A536 65-45-12
Disc	Ductile Iron	A536 65-45-12
	Aluminum Bronze	B584 C95400
	Stainless Steel	A351 CF8
Stem	Stainless Steel	A351 CF8M
	Stainless Steel	AISI 316
Seat-Ring	EPDM / NBR	Commercial
Spring	Stainless Steel	AISI 316
	Stainless Steel	AISI 304

### Dimensions(mm/inch)

SIZE	mm	50	65	80	100	125	150	200	250	300
	inch	2	2½	3	4	5	6	8	10	12
H	mm	54	60	67	67	83	95	127	140	181
	inch	2.13	2.36	2.64	2.64	3.27	3.74	5.00	5.51	7.13