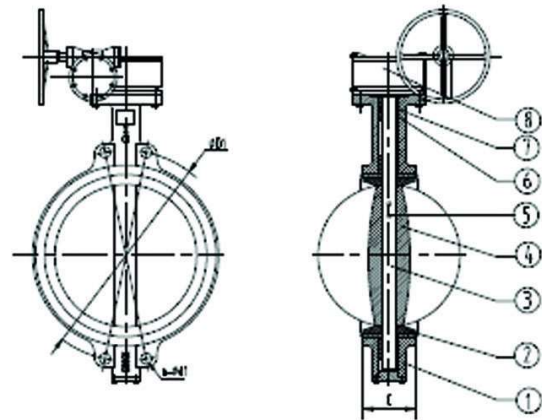




## Stainless Steel Wafer Type Butterfly Valve, Universal, Gear Operator

Model : SBF-T16G



### Specification Standards :

- Designed as standard : BS5155, DIN3202, ISO5752
- Flange as standard : DIN, BS, UNI, ISO, ANSI, JIS
- Top mounting flange as standard : ISO5211

### Features :

- Wafer type connections
- Lever operator
- Concentric design

Test Requirements	
Working Pressure	150 PSI ( 10 Bar )
Maximum Pressure	200 PSI ( 14 Bar )
Shell Test Pressure	300 PSI ( 21 Bar )
Applicable Temperature	≤ 150 °C

### Materials :

No.	Parts	Material
1	Body	CF8M
2	Seat	PTFE / RPTFE
3	Shaft	SS416
4	Disc	CF8M
5	Pin	SS316
6	Bushing	PTFE
7	O ring	NBR
8	Gear Operator	Components

### Application :

- For general and industrial services
- Applicable medium : water, oil

### Dimensions

mm

Size	DN	C	DIN PN 10 / 16		ANSI 150		JIS 10K	
			D1	n-Ød1	D1	n-Ød1	D1	n-Ød1
4"	100	52.1	180	8-18	98.5	8-19	175	8-19
5"	125	54.4	210	8-18	120.5	8-22	210	8-23
6"	150	55.8	240	8-23	139.5	8-22	240	8-23
8"	200	60.6	295	8/12-23	152.5	8-22	290	12-23
10"	250	65.6	350 / 355	12-23/-27	190.5	12-25	355	12-25
12"	300	76.9	400 / 410	12-23/27	216	12-25	400	16-25
14"	350	76.5	460 / 470	16-23/27	241.5	12-29	400	16-25
16"	400	8.65	515 / 525	16-27/30	540	16-29	510	16-27
18"	450	105.6	565 / 585	20-27/30	578	16-32	565	20-27
20"	500	131.8	620 / 650	20-27/30	635	20-32	620	20-27
24"	600	152	725 / 770	20-30/36	745.5	20-35	400	24-33