

# FA-500 SERIES

## Fire Alarm Control Panels



### General

Fire control panels **FA-500 series 5, 10, 15, 20 zone detector**, produce alarms to alert the control panel operator and the residents when they receive a fire signal from detector normally. They consist of two different display modes, i.e individual zone lamps and trouble alarm lamps which can connect with the graphic display and annunciator.

### Features

- **Model : FA-500 Series – 1 Zone Bell**
  - FA-505 5 Supervise Zone Detector
  - FA-510 10 Supervise Zone Detector
  - FA-515 15 Supervise Zone Detector
  - FA-520 20 Supervise Zone Detector
- Zoned visual red alarm LED and red FIRE indicators
- Zoned visual yellow O/C fault LED.
- Continuous signal during alarm.
- Built-in battery charger.
- Low/No power and battery detection.
- Automatic loading and testing of battery.
- Battery lead reversal protection.
- Zone fire test and zone O/C fault test.
- Fire storage (Double check of the fire signal)
- Fire alarm and trouble buzzer.
- **Added Option in Thailand**
  - Option** : With connect graphic display
  - Option** : With timer
  - Option** : With AUX relay for zone

### Electrical

- **Model: FA-500 Series**
- **Standard** : Reply CNS.8877.Z2044
- **Primary Power Source**: 220 VAC, 50/60 Hz
- **Secondary Power Source** : (Battery Backup)
  - FA-505 5 Zone : 24 VDC 1.2 Ah
  - FA-510 10 Zone : 24 VDC 1.2 Ah
  - FA-515 15 Zone : 24 VDC 2.1 Ah
  - FA-520 20 Zone : 24 VDC 2.1 Ah
- **Zone Power** : 24 VDC. (18 VDC - 30 VDC)
- **Zone EOL** : 10K EOL (1/4 - 1/2W Resistor)
- **Bell Power** : 24 VDC. (1.0 amps)
- **Panel Color** : White & Ivory
- **Dimension (mm.)**
  - FA-505 : 300 X 380 X 95 mm.
  - FA-510 : 300 X 460 X 95 mm.
  - FA-515 : 310 X 560 X 110 mm.
  - FA-520 : 310 X 640 X 110 mm.

## Operation for FA-500 SERIES

### ◆ NORMAL CONDITION

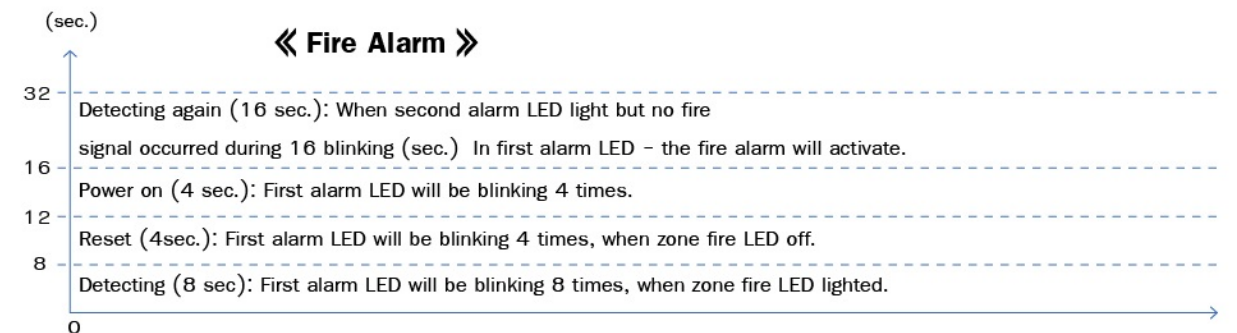
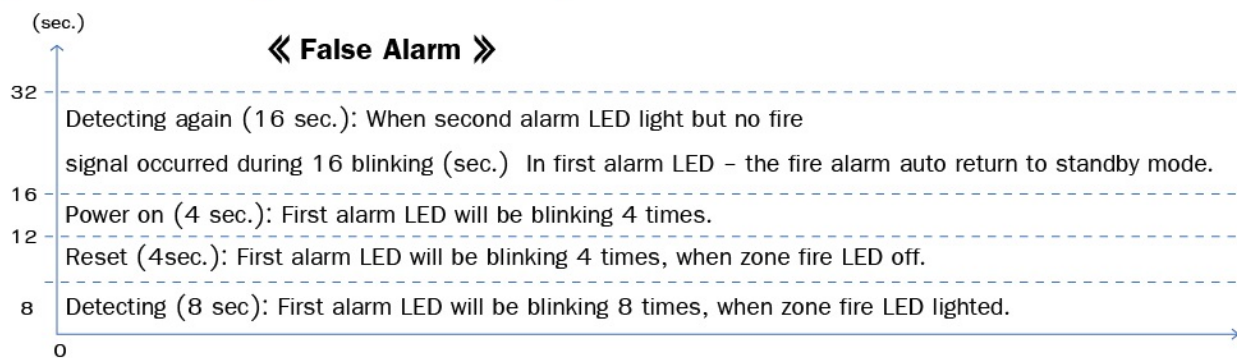
The normal condition refers to a control panel with no active events.

- The green **AC POWER LED** is lit (steady indication)
- The green **NORMAL LED** is lit (steady indication)
- No other LED indications are given.

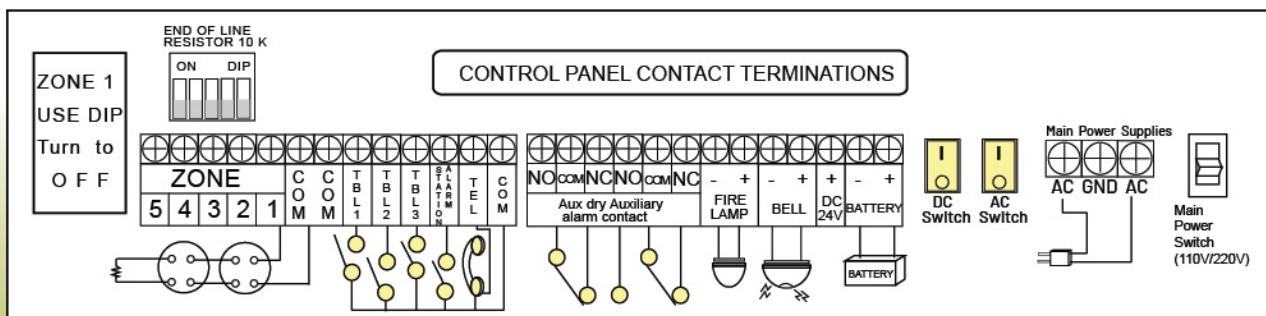
### ◆ FIRE CONDITION

- The control panel is in fire condition, i.e it is signalling a fire alarm.
- The **FIRE** indicator (red LED) is flashing.
- The Zone which has detected the fire is indicated by ZONE FIRE lights.
- The internal control panel **FIRE ALARM BUZZER** sounds.
- External alarm devices are activated. (Bell : 24VDC, Aux relay any contacts : NO)

### ◆ FIRE STORAGE (FOR DOUBLE CHECK)

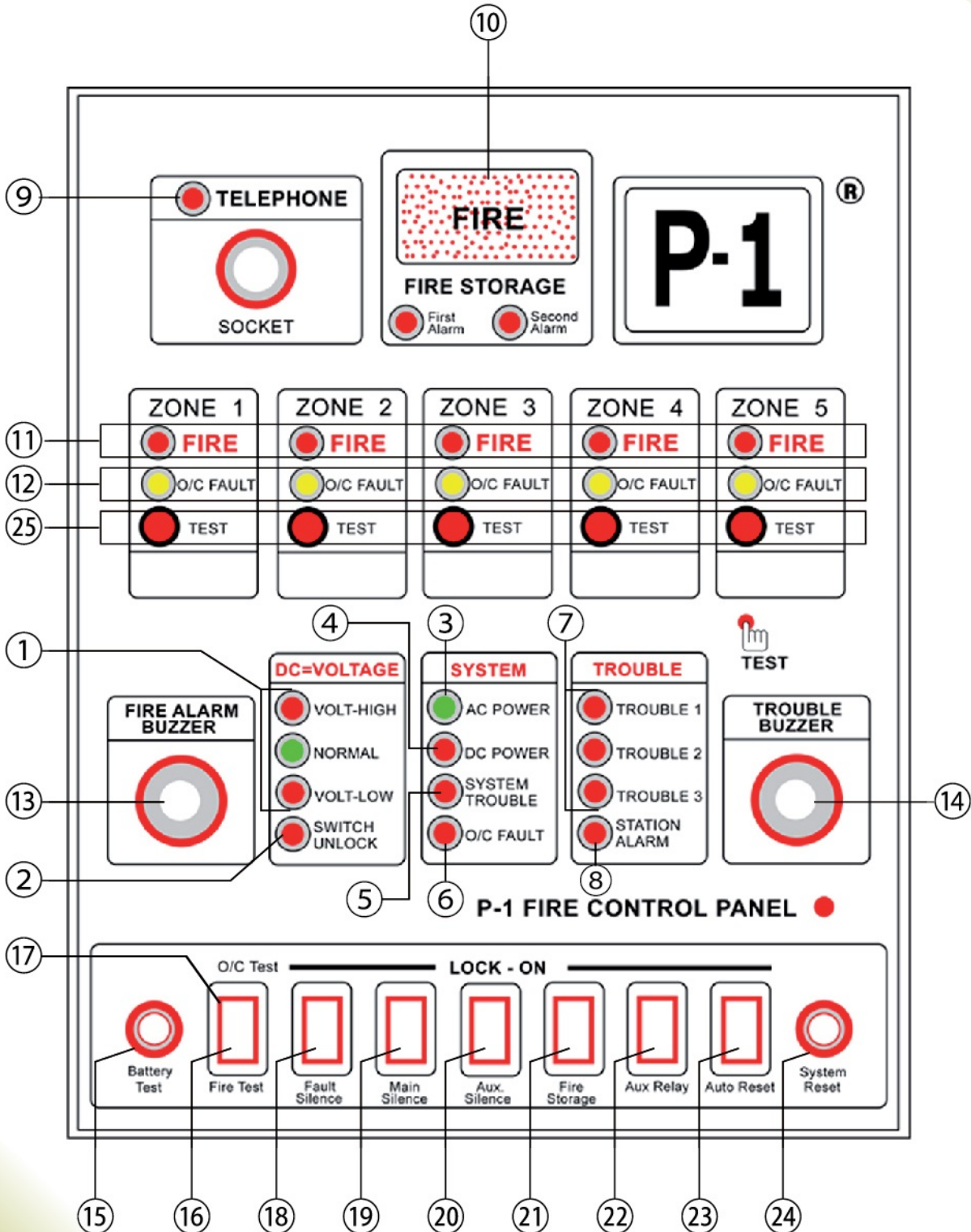


## Wiring Diagram for FA-500 SERIES CONTROL PANEL



**FA-500 SERIES**

**System Control And Indicator On Board**



## FA-500 SERIES

### SYSTEM CONTROL AND INDICATOR ON BOARD

#### INDICATING LED

- ① **DIGITAL VOLTMETER** : Indicating regular power supply (Normal: 20 VDC ~ 30 VDC)
- ② **SWITCH UNLOCK** : Red LED is flashing once 1 sec.
- ③ **AC POWER** : Green LED is Lit: The AC power connected to the control panel.
- ④ **DC POWER** : The AC power failure and the DC power connected to the control panel.
- ⑤ **SYSTEM TROUBLE** : Red LED is Lit. The fuse fault of main board.
- ⑥ **O/C FAULT** : Red LED is Lit. Indicating zone open circuit fault.
- ⑦ **TROUBLE** : Red LED is Lit. Indicating tank water below level or other trouble.
- ⑧ **STATION ALARM** : Red LED is Lit. The manual pull station are activated.
- ⑨ **TELEPHONE** : Red LED is Lit. Indicating the phone call.
- ⑩ **FIRE** : Red LED is flashing. Fire alarm!
- ⑪ **ZONE FIRE** : Red LED is Lit. Indicating the zone has detected the fire.
- ⑫ **ZONE O/C FAULT** : Yellow LED is Lit. Indicating the zone open circuit fault.
- ⑬ **ALARM BUZZER** : 85dB @ 1m (min.)
- ⑭ **TROUBLE BUZZER** : Zone open circuit: once 1 sec. Telephone & trouble alarm: always.

#### SWITCH OPERATION: UP - SETTING, DOWN - CLOSE

- ⑮ **BATTERY TEST** : Pressing the button will test the battery.
- ⑯ **FIRE TEST** : Down the switch to test zone fire circuit (Test mode)
- ⑰ **O/C TEST** : Up the switch to test zone open circuit (Test mode)
- ⑱ **FAULT SILENCE** : Unlock the switch to silence TROUBLE BUZZER.
- ⑲ **MAIN SILENCE** : Unlock the switch to silence FIRE ALARM BUZZER.
- ⑳ **AUX SILENCE** : Unlock the switch will cause all sector sounder outputs to switch off.
- ㉑ **FIRE STORAGE** : Unlock the switch disable to double check the fire alarm signal.
- ㉒ **AUX RELAY** : Unlock the switch to control the relay NC or NO output.
- ㉓ **AUTO RESET** : Unlock the switch, auto reset to standby mode.
- ㉔ **SYSTEM RESET** : Pressing the button will reset to standby mode.
- ㉕ **ZONE TEST** : Pressing the button will test zones fire/open circuit (in test mode)