

AUTOMATIC AIR VENT

BRAND NAME	:	GALA
MODEL	:	9712
SIZE	:	1/2", 3/4", 1" DIA.
WORKING PRESSURE	:	200 PSI.
CONNECTION	:	NPT THREADED
APPROVED	:	FM APPROVED

MATERIAL OF CONSTRUCTION

BODY	:	DUCTILE IRON
COVER	:	DUCTILE IRON
SEAT	:	STAINLESS STEEL
FLOAT	:	STAINLESS STEEL
ORIFICE BUTTON	:	VITON

Air Release Valve

Screwed

Fig. 9712



Valve Standard

Fusion bonded coating comply with AWWA C550

Working pressure

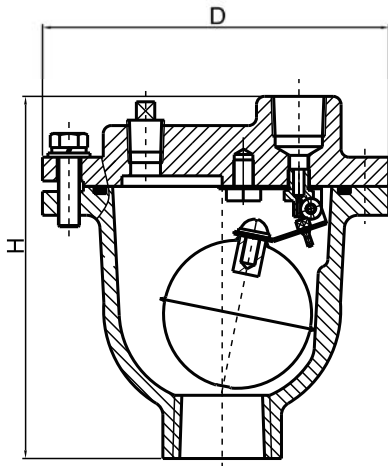
200PSI

Working Temperature

-10°C to 120°C

Connection Ends

NPT/BSPT/BSPP



Materials List

Part	Material	ASTM Spec.
Body	Ductile Iron	A536 65-45-12
Cover	Ductile Iron	A536 65-45-12
Level	Stainless Steel	AISI 304
Seat Ring	Stainless Steel	AISI 304
Float	Stainless Steel	AISI 304
Float Arm	Stainless Steel	AISI 304
Orifice Button	Viton	Commercial

Dimensions

DN		Inlet	Outlet	Orifice	D	H
mm	inch					
15	1/2	15	15	1.6	125	137
20	3/4	20	15	1.6	125	137
25	1	25	15	1.6	125	137

Note: Subject to change without prior notice due to products optimization.



APPROVED



Member of the FM Global Group

Certificate of Compliance

This certificate is issued for the following:

AIR RELEASE VALVES

Fig. 9712

Sizes 1/2, 3/4 and 1 inch NPS

Rated Working Pressure = 200 psi (1380 kPa)

Prepared for:

Tianjin Galaxy Valve Co., Ltd
No 15 Tianhua Road
Baltai Industrial Area
Jinnan District, Tianjin 300350
China

FM Approvals Class: 1344

Approval Identification: 0003059096

Approval Granted: December 30, 2016

To verify the availability of the Approved product, please refer to www.approvalguide.com

Said Approval is subject to satisfactory field performance, continuing Surveillance Audits, and strict conformity to the constructions as shown in the Approval Guide, an online resource of FM Approvals.

David B. Fuller
AVP, Manager – Fire
Protection

FM Approvals
1151 Boston-Providence Turnpike
Norwood, MA 02062 USA