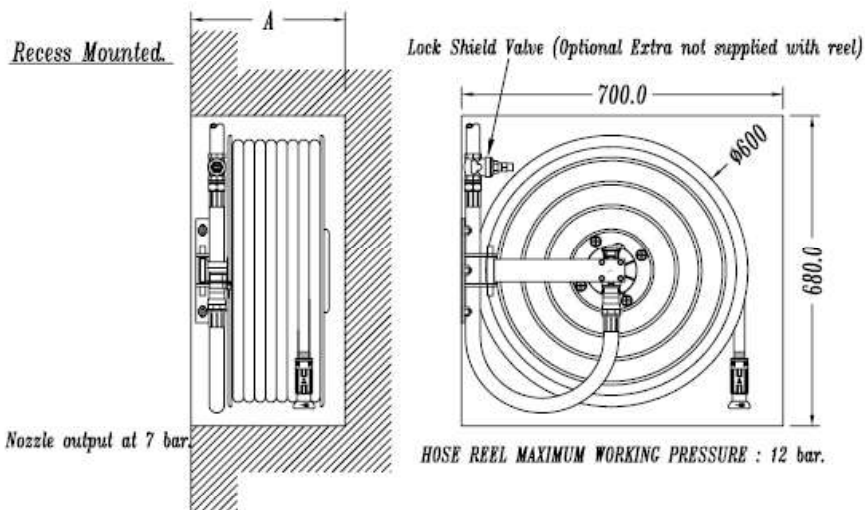




Moyne Roberts

Model 3A Automatic Swinging Hose Reel MR10050



Reel Size	Hose Capacity	Dimensions		Nozzle Output	Carton Size in mm	Pack Wgt With Hose
		A				
19mm	30Mtrs	215mm		46l /min	610x610x180mm	20.0 Kg
25mm	30Mtrs	275mm		48l /min	610x610x230mm	25.0 Kg

HOSE SIZE	NOMINAL DIMENSIONS (mm)		WEIGHTS Kg/mtr Tol : +- 5%	PRESSURE (bar)		
	ID	OD		Max Working	Test	Bursting (min)
19mm	19	28	.290	12	24	50
25mm	25	34	.479	12	24	50

The hose reel has been designed and constructed and is Kitemarked and Kiwa certified to BS EN671-1: 2001.

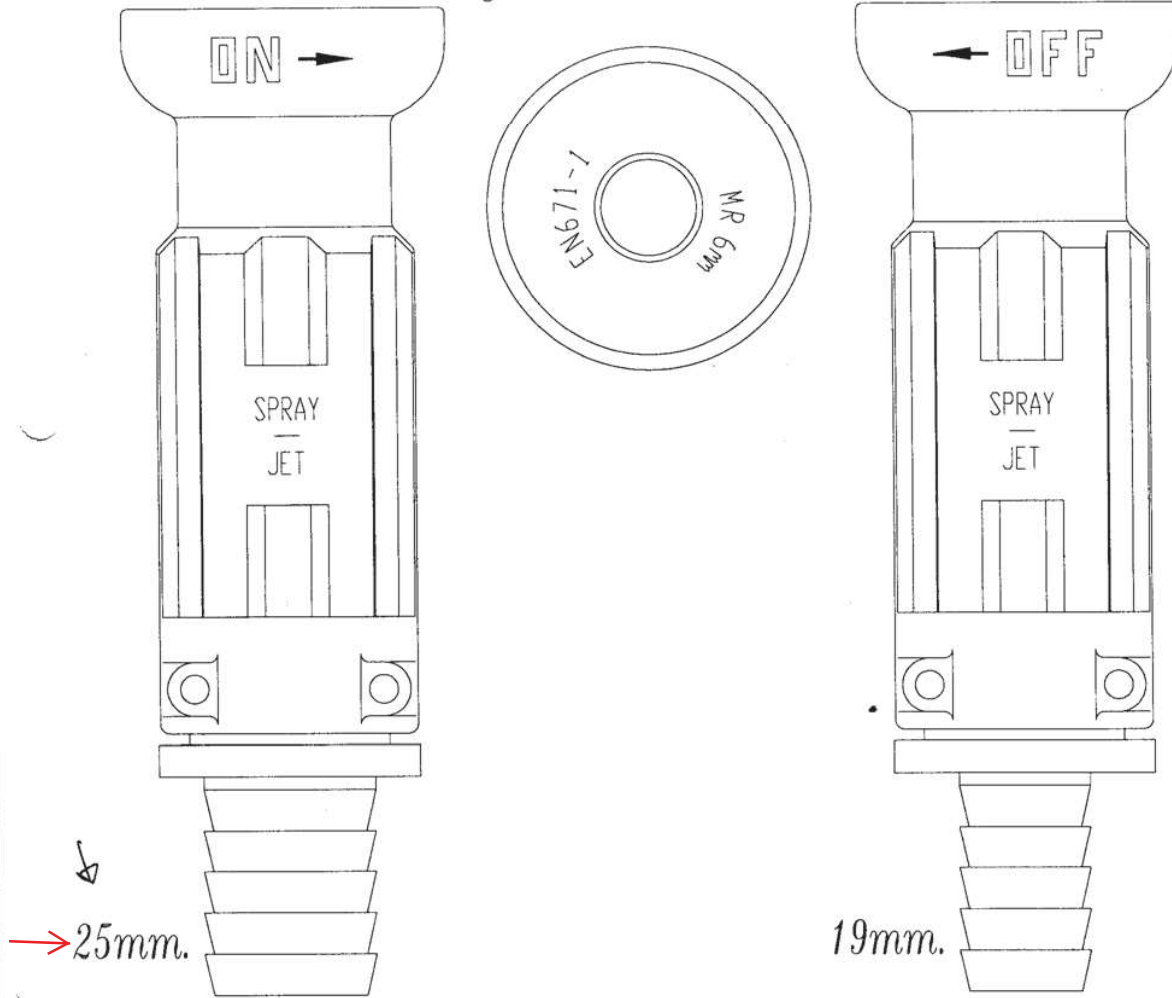
KIWA Certified : K25290/01
CE Certified : CE 0879
Kitemark Certified : KM51562



MOYNE ROBERTS DATA SHEET

Data Sheet Number.	DR440
Issue / Date.	3 25/09/00
Page.	1 of 1

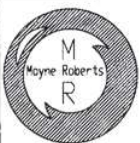
EN671-1 Rating : 6mm



Pressure (bar)	Flow Rate (ltrs/min)			
	Automatic		Manual	
	Jet	Spray	Jet	Spray
2 ^{20psi}	28.54	29.80	29.41	30.66
4	47.46	47.66	48.10	49.88
6	58.78	60.44	60.26	61.08
8	69.58	70.09	71.06	70.73
10	80.54	82.50	80.45	81.32
12	91.70	92.93	91.25	92.10

Pressure (bar)	Flow Rate (ltrs/min)			
	Automatic		Manual	
	Jet	Spray	Jet	Spray
2	30.38	31.00	30.76	30.640
4	47.02	47.22	47.36	46.80
6	58.58	59.72	60.27	60.47
8	69.37	71.13	71.06	71.81
10	77.12	78.02	77.45	77.95
12	88.43	89.28	87.50	88.10

MOYNE ROBERTS RESERVE THE RIGHT TO MODIFY OR WITHDRAW ANY PRODUCT WITHOUT PRIOR NOTICE.



MOYNE ROBERTS

Moyne Roberts
Cavan Ireland.

Moyne Roberts
Preston England.

TITLE :

19-25mm Plastic Nozzle (Spray/Jet).

K I T E M A R K L I C E N C E



No. KM 51562

BSI hereby grants to:

Moyne- Roberts (IRL) Limited
Moynehall
Cavan
Ireland

In respect of:

BS EN 671-1

Hose Reels with Semi Rigid Hose

the right and Licence to use the Kitemark in accordance with the Kitemark Licence Conditions of Contract governing the use of the Kitemark, as may be updated from time to time by BSI, and as approved by the Registrar under the Trade Marks Act 1994 (the "Conditions"). All defined terms in this Licence shall have the same meaning as in the Conditions.

The Kitemark is authorized to be affixed to the Product(s), manufactured at, or provided from, the address above and in conformity with the Standard(s) detailed on the following pages.

For and on behalf of BSI:

Anne Boyd, Divisional Director, Product Services Operations

First granted: 2 Sep 1999

Date: 29 Jan 2003

Page: 1 of 2



The licence remains the property of BSI and shall be returned immediately upon request. This licence does not expire. To check its validity telephone

BSI Product Services

Maylands Avenue, Hemel Hempstead, Hertfordshire HP2 4SQ United Kingdom
Tel +44 (0)1442 230442 Website: www.bsi-global.com



BRITISH STANDARDS INSTITUTION

Licence

to use the Kitemark



KITEMARK LICENCE No. KM 51562

The General Manager, Technical and Certification Services, hereby grants to

MOYNE ENGINEERING LIMITED

MOYNEHALL
CAVAN TOWN
CO CAVAN
IRELAND

the right and Licence to use the Kitemark in accordance with the Conditions approved by the Registrar under the Trade Marks Act 1994 governing the use of the Kitemark.

The Kitemark can be affixed to the goods, detailed in the attached Licence Schedule, manufactured at the above address and which are in conformity with

BS EN 671-1 Hose reels with semi rigid hose

These goods are produced under a Quality System assessed against

BS EN ISO 9002 Quality Systems

Martin Reed, General Manager, Technical and Certification Services

Date 02 September 1999