

## Brass Ball Valves

Two-Piece Body • Full Port • Blowout-Proof Stem • PTFE Seats  
• British Parallel Pipe Threads

**580 PSI/40 Bar Non-Shock Cold Working Pressure**

**UL LISTED† • FM APPROVED‡**

### MATERIAL LIST

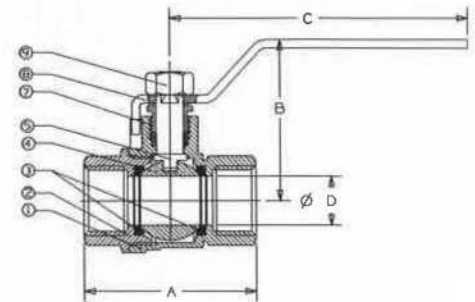
PART	SPECIFICATION
1. Body	Forged Brass* CU > 57%
2. End Cap	Forged Brass* CU > 57%
3. Ball Seat	PTFE
4. Ball	Brass, Chrome Plated
5. Stem	Brass
7. Stem Packing	PTFE
8. Packing Nut	Brass
9. Lever Handle	Steel, Plated
11. Handle Nut	Steel, Plated

Note: \* For Material Certification, contact NIBCO Technical Services.



**T-FP-40-BSPP**

Threaded



T-FP-40-BSPP  
BSPP

### DIMENSIONS—WEIGHTS—QUANTITIES

Size	A		B		C		Port D		Lbs.	Kg.	Ctn. Qty.	
	In.	mm.	In.	mm.	In.	mm.	In.	mm.				
→ 1/2	15	2.27	52	1.92	49	3.54	90	0.59	15	0.47	0.21	18
3/4	20	2.61	60	2.09	53	3.78	96	0.75	19	0.68	0.31	12
→ 1	25	3.07	70	2.56	65	4.53	115	0.98	25	1.11	0.50	6
1 1/4	32	3.70	84	2.95	75	4.53	115	1.26	32	1.69	0.77	4
1 1/2	40	4.04	93	3.35	85	5.51	140	1.57	40	2.55	1.16	2
2	50	4.81	106	3.68	93	5.51	140	1.97	50	3.81	1.73	2

† UL Subject 258

‡ FM Approved at 24 Bar (350 psi) WWP Service





## VQGU.EX2747 Valves, Trim and Drain

[Page Bottom](#)

### Valves, Trim and Drain

[See General Information for Valves, Trim and Drain](#)

#### NIBCO INC

EX2747

WORLD HEADQUARTERS  
1516 MIDDLEBURY ST  
PO BOX 1167  
ELKHART, IN 46515-1167 USA

Model	Type	Size In.	Rated Pressure (psig)
KT-65-UL	Globe	1/2, 3/4, 1	175
KT-67-UL	Angle	1/2, 3/4, 1	175
KT-211-W-UL	Globe	1-1/4, 1-1/2, 2	175
KT-580-70-UL	Ball	1-1/4, 1-1/2, 2	300
KT-585-70-UL	Ball	1/4, 3/8, 1/2, 3/4, 1	300
T-301-W	Angle	1-1/4, 1-1/2, 2	175
T-FP600	Ball	1/4, 3/8, 1/2, 3/4, 1, 1-1/4, 1-1/2, 2	300
T-FP600N	Ball	1/4, 3/8, 1/2, 3/4, 1, 1-1/4, 1-1/2, 2	300
TFP600A-LF	Ball	1/4, 3/8, 1/2, 3/4, 1, 1-1/4, 1-1/2, 2	175
TFP600A-LL-LF	Ball	1/4, 3/8, 1/2, 3/4, 1, 1-1/4, 1-1/2, 2	175
TFP40	Ball	1/2, 3/4, 1, 1-1/4, 1-1/2, 2	350

Last Updated on 2015-04-15

[Questions?](#)

[Print this page](#)

[Terms of Use](#)

[Page Top](#)

© 2015 UL LLC

When the UL Leaf Mark is on the product, or when the word "Environment" is included in the UL Mark, please search the [UL Environment database](#) for additional information regarding this product's certification.

The appearance of a company's name or product in this database does not in itself assure that products so identified have been manufactured under UL's Follow-Up Service. Only those products bearing the UL Mark should be considered to be Certified and covered under UL's Follow-Up Service. Always look for the Mark on the product.

UL permits the reproduction of the material contained in the Online Certification Directory subject to the following conditions: 1. The Guide Information, Assemblies, Constructions, Designs, Systems, and/or Certifications (files) must be presented in their entirety and in a non-misleading manner, without any manipulation of the data (or drawings). 2. The statement "Reprinted from the Online Certifications Directory with permission from UL" must appear adjacent to the extracted material. In addition, the reprinted material must include a copyright notice in the following format: "© 2015 UL LLC".

## Quick Opening Valves

Manually operated ball valves are used to control water to small open-head extinguishing systems or in the trim on waterflow alarm valves, dry pipe valves or automatic water control valves.

The friction loss through these valves should be considered when they are used in hydraulically calculated extinguishing systems. Consult the manufacturer for details. Unless otherwise noted in the listing, these valves have 175 psi (1205 kPa) rated working pressure.

### Model TFP40BSPP

<b>Product Designation</b>	<b>Description</b>	<b>Nominal Pipe Size, in.</b>	<b>Pressure Rating, psi (kPa)</b>	<b>Remarks</b>
TFP40BSPP	Brass Ball Valve	1/2, 3/4, 1, 1-1/4, 1-1/2, 2	350 (2415)	a

**Remarks:**

a. Valve supplied with female BSPP end connections

<b>Company Name:</b>	NIBCO Inc
<b>Company Address:</b>	1516 Middlebury St, Elkhart, Indiana 46516, USA
<b>Company Website:</b>	<a href="http://www.nibco.com">http://www.nibco.com</a>
<b>New/Updated Product Listing:</b>	No
<b>Listing Country:</b>	United States of America
<b>Certification Type:</b>	FM Approved