

Bronze Gate Valve (PN20)

Non-Rising Stem • Screw-in Bonnet



20 Bar from -10°C to 65° C
7 Bar at 230°C

THREAD ENDS CONFORM TO BS 21 TAPER THREAD (ISO 7)
CONFORMS TO BS 5154 OR BSEN 12288

MATERIAL LIST

PART	SPECIFICATION
1. Body	Cast Bronze ASTM B 584 C84400
2. Disc	Cast Bronze ASTM B 584 C84400
3. Bonnet	Cast Bronze ASTM B 584 C84400
4. Lock Nut	Brass ASTM B 16 C36000
5. Stem Packing	PTFE
6. Gland	Bronze ASTM B16 C36000
7. Packing Nut	Bronze ASTM B16 C36000
8. Stem	Brass ASTM B 16 C36000
9. Handwheel	Cast Iron ASTM A 126 Class B
10. Wheel Nut	Steel
11. Name Plate	Aluminum



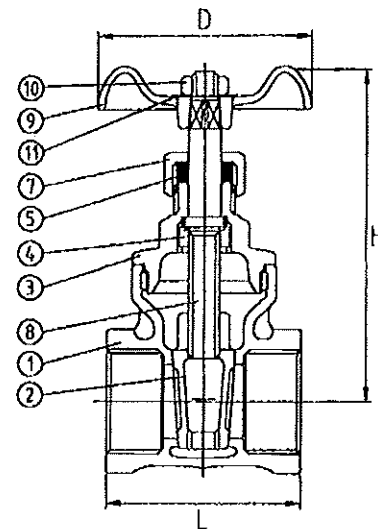
NP 450
Threaded

Pressure Testing

Shell (Water)	30 Bar
Seal (Air)	5.4 Bar

DIMENSIONS—WEIGHTS

SIZE	Dimensions				Weight Kg.
	D	H	L		
In. mm.	mm.	mm.	mm.	mm.	
1/2 15	61.0	78.0	43.0		0.27
3/4 20	68.0	94.0	48.5		0.36
1 25	68.0	109.0	56.0		0.58
1¼ 32	77.0	120.0	60.0		0.72
1½ 40	92.6	142.0	62.5		0.98
2 50	105.0	163.0	71.0		1.55
2½ 65	104.0	207.0	96.0		3.00
3 80	118.0	235.0	100.0		4.06
4 100	150.0	281.0	116.5		6.47



NP 450

FREEZING WEATHER CAUTION: Subsequent to testing a piping system, valves should be left in an open position to allow complete drainage. Failure to follow these instructions may result in property damage.