



HC-102

ANGLE HOSE VALVE



HC-102(DWG.J281)

ANGLE HOSE VALVE

300lb. RATED

Used with a Fire Hose Rack Assembly

Or as a Fire Dept. outlet connection

DOUBLE FEMALE

Standard equipment:

Female NPT inlet and outlet forge brass valve

Outlet cast brass valve

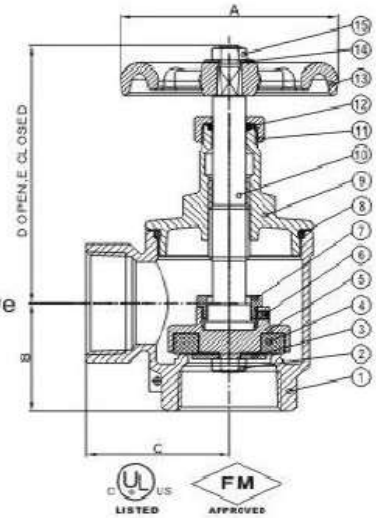
Red hand wheel.

Optional Finishes:

PB-Polished Brass

RC-Rough Chrome Plated

PC-Polished Chrome Plated



2 1/2" FNPT x FNPT
1 1/2" FNPT x FNPT

	A	B	C	D	E
1 1/2" x 2 1/2"	3.94	1.97	2.60	4.70	5.71
2 1/2" x 2 1/2"	4.92	2.68	3.27	6.18	7.87

NO	DESCRIPTION	MATERIALS	NO	DESCRIPTION	MATERIALS
1	BODY	ASTM B283 C37700	9	BONNET	ASTM B283 C37700
2	WHEEL NUT	ASTM B283 C37700	10	STEM	ASTM B283 C37700
3	WASHER	SS304	11	LOCK NUT	ASTM B283 C37700
4	SEAT SEAL	NBR	12	ORING	NBR
5	HOLDER	ASTM B283 C37700	13	HANDLE WHEEL	DUCTILE IRON
6	SET SCREW	SS304	14	WHEEL WASHER	SS304
7	LOCK NUT	ASTM B283 C37700	15	WHEEL NUT	ASTM B283 C37700
8	ORING	NBR			



VTSR.EX16364 - Hose Valves

Hose Valves

[See General Information for Hose Valves](#)

NINGBO HUACHENG VALVE CO LTD

EX16364

No 103 Chezhan East Rd

Huangtan Town

Ninghai, ZHEJIANG 315600 CHINA

Angle types, 1-1/2, with female/female (NPT/NPS) and female/male (NPS) ends, for a maximum working pressure of 300 psi, for use on a fire hose rack assembly, or as a fire department outlet connection, Model(s) J281

Angle types, 2-1/2 in., with female/female (NPT/NPS), female/male (NPS), Female NPT/Male NYC, GRV by Male NH, GRV by Male NYC and Male NH by Male NYC for a maximum working pressure of 300 psi, for use on a fire hose rack assembly, or as a fire department outlet connection, Model(s) J281

Trademark and/or Tradename:



[Last Updated](#) on 2021-01-19

The appearance of a company's name or product in this database does not in itself assure that products so identified have been manufactured under UL's Follow-Up Service. Only those products bearing the UL Mark should be considered to be Certified and covered under UL's Follow-Up Service. Always look for the Mark on the product.

UL permits the reproduction of the material contained in the Online Certification Directory subject to the following conditions: 1. The Guide Information, Assemblies, Constructions, Designs, Systems, and/or Certifications (files) must be presented in their entirety and in a non-misleading manner, without any manipulation of the data (or drawings). 2. The statement "Reprinted from the Online Certifications Directory with permission from UL" must appear adjacent to the extracted material. In addition, the reprinted material must include a copyright notice in the following format: "© 2021 UL LLC"

Hose Valves

Hose valves of 1 1/2 in. (38 mm) may be used on connections from sprinkler systems; 2 1/2 in. (64 mm) valves are used on hose standpipes and fire pump headers. For pressures above 175 psi (1205 kPa), an appropriate pressure reducing device shall be used.

Hose Valves, Angle

Models J281, J282-121

Product Specification

Model No	Description	Valve Size		Rated Working Pressure	
		in	(mm)	psi	(kPa)
J281	Standard Hose Valve Female NPT x Male NH, Female NPT x Female NPT, Female NPS x Female NPS	1 1/2	(38)	300	(2065)
J281	Standard Hose Valve Female NPT x Male NH Female NPT x Female NPT Female NPS x Female NPS Female NPT x Male NYC Thread Groove x Male NH Groove x Male NYC Thread	2 1/2	(64)	300	(2065)
J282-121	Pressure Restricting Hose Valve Female NPT x Male NH Female NPT x Female NPT	1 1/2	(38)	175	(1205)
J282-121	Pressure Restricting Hose Valve Female NPT x Male NH Female NPT x Female NPT	1 1/2	(38)	300	(2065)
J282-221	Pressure Restricting Hose Valve Female NPT x Male NH Female NPT x Female NPT Rc x M78x2	2 1/2	(64)	175	(1205)
J282-221	Pressure Restricting Hose Valve Female NPT x Male NH Female NPT x Female NPT Rc x M78x2	2 1/2	(64)	300	(2065)

Company Name:	Ningbo Huacheng Valve Co. Ltd.
Company Address:	No 103 East Chezhan Rd, Huangtan Town, Ninghai, Ningbo City, Zhejiang 315600 China
Company Website:	http://huachengvalve.com
New/Updated Product Listing:	No
Listing Country:	China
Certification Type:	FM Approved
Class of Work:	1521-Angle Hose Valves