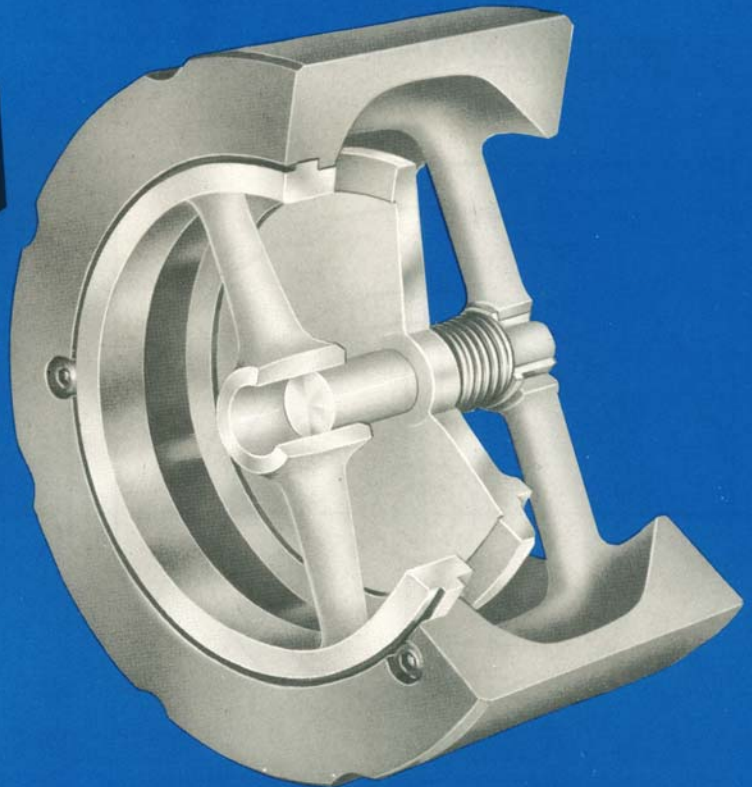


SHHH... SHHH...
**SHOCK-
PROOF
PIPING
SYSTEMS**

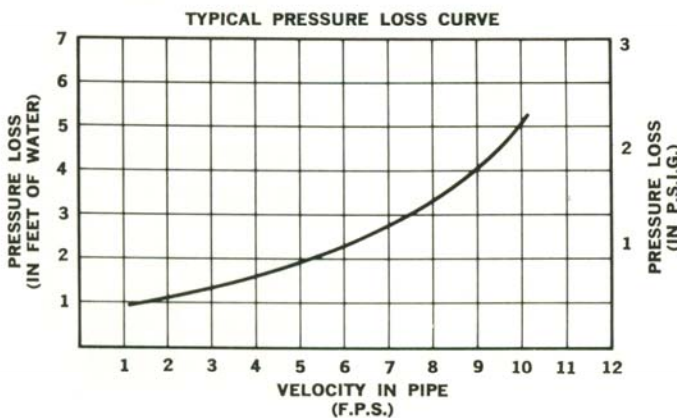


1400 SERIES

with **VAL-MATIC** **WAFER STYLE
Silent Check Valves**

Designed and engineered for silent operation with low head loss in a compact wafer body. Specially designed spring controls the closure of Val-Matic Silent Check Valves . . . closing valve disc in advance of flow reversal, thereby preventing water hammer and damaging shock normally associated with valve shut-off.

Tear-Drop Contour **allows** streamline flow and combined with Full Pipe Size Area of Inner Body **assures** minimal pressure drop.



NOTE: For specific valve size pressure loss curve . . . see drwg. No. 1404.

VAL-MATIC SILENT CHECK VALVES ARE ENGINEERED FOR SILENT OPERATION / LOW HEAD LOSS *Plus...*

- Shortest Feasible Face-to-Face Dimensions
- Lightweight, Space-Saving Wafer Design
- Easily Replaceable Parts
- Functions Equally Well in All Positions
- Simple flange-supported installation
- Drop-Tight Seating
- Cast Iron Body / Bronze or Stainless Steel Trim

NOTE:

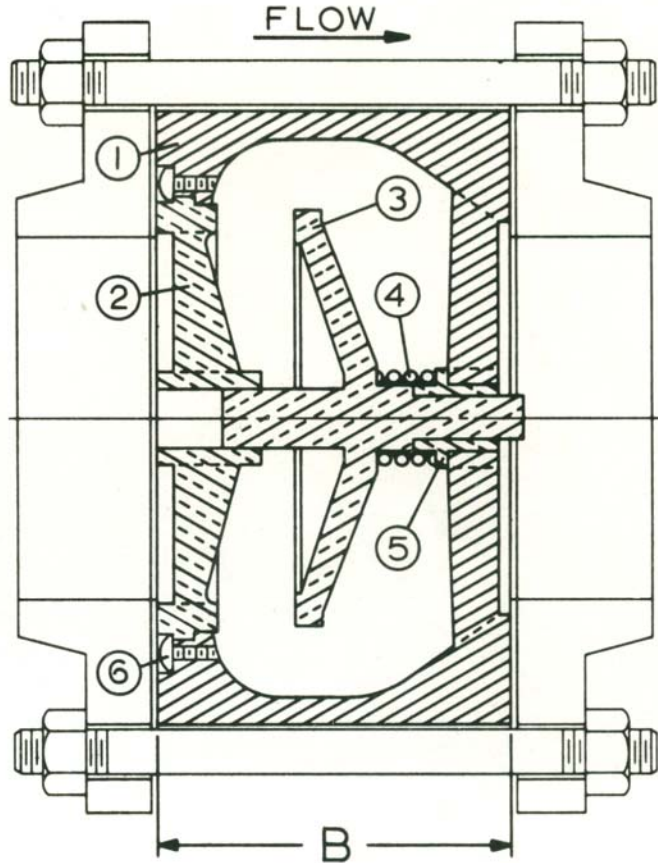
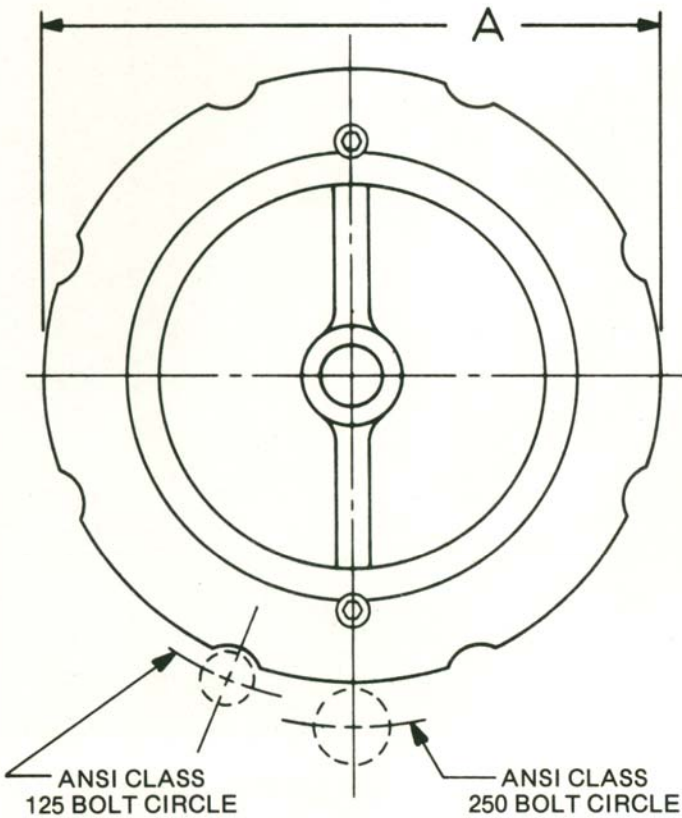
1. Val-Matic 1400 Series Wafer-Style Silent Check Valves Are Intended for Liquid Service Only. For other service or materials of construction, consult factory.
2. Globe Style Valves Also Available in 3" through 42" . . . See Val-Matic Bulletin 1800.
3. Cast Steel and Stainless Steel Valves Also Available . . . See Drawing Number VM 3102.

VAL-MATIC

VAL-MATIC VALVE AND MANUFACTURING CORP.

905 RIVERSIDE DRIVE • ELMHURST, IL 60126 • 630/941-7600 • TELEX: 28-1001 • FAX: 630/941-8042

FLANGES, BOLTS, NUTS AND GASKETS
ARE NOT INCLUDED.



Factory Mutual System

*Approved

ANSI 125

PART NO.	NAME	MATERIAL
1	BODY	CAST IRON
2	SEAT	BRONZE
3	PLUG	BRONZE
4	SPRING	STAINLESS STEEL
5	BUSHING	BRONZE
6	SCREW	STAINLESS STEEL

ANSI CLASS 125				
Size	Model No.	Weight Lbs.	A	B
* 2	1402	6	4-1/4	2-5/8
* 2 1/2	1402 1/2	7	5	2-7/8
* 3	1403	12	5-3/4	3-1/8
* 4	1404	18	7	4
* 5	1405	27	8-3/8	4-3/4
* 6	1406	42	9-3/4	5-1/2
* 8	1408	85	13-3/8	6-1/2
* 10	1410	146	16	8-1/4

ANSI CLASS 250				
Size	Model No.	Weight Lbs.	A	B
SIZES 2" THRU 6" ARE COMBINATION ANSI CLASS 125 AND 250 VALVES. USE ANSI CLASS 125 DIMENSIONS.				
8	1458	86	13-3/8	6-1/2
10	1460	137	16	8-1/4

NOTE: (1) Refer to Drawing SS120 for pressure and temperature limitations.
(2) Additional materials and pressure classifications available.

VAL-MATIC

VAL-MATIC VALVE AND MANUFACTURING CORP.
905 RIVERSIDE DRIVE • ELMHURST, IL 60126
630/941-7600 • TELEX: 28-1001 • FAX: 630/941-8042
Copyright © 1987 Val-Matic Valve and Mfg. Corp.

DISTRIBUTED BY

PRINTED IN U.S.A.

PRESSURE TEMPERATURE RATINGS
FOR
CAST IRON / BRONZE OR STAINLESS STEEL TRIM
SILENT CHECK VALVES

TEMP. DEG. F.	MAX., NON-SHOCK SERVICE PRESS.			
	ANSI B16.1 FLG. RATINGS			
	125 LB. CLASS		250 LB CLASS	
	2"-12"	14"-42"	2"-12"	14"-42"
0 - 150°	200	150	400	300
200°	190	135	370	280
TEST PRESSURE	300	230	600	450

NOTE:

STAINLESS STEEL TRIM RECOMMENDED FOR
TEMPERATURES 180°-200° F.

REVISED 6-18-90

PRESSURE TEMPERATURE RATINGS	DATE 5-2-78
VAL-MATIC VALVE AND MANUFACTURING CORP.	DRWG. NO. SS-120