

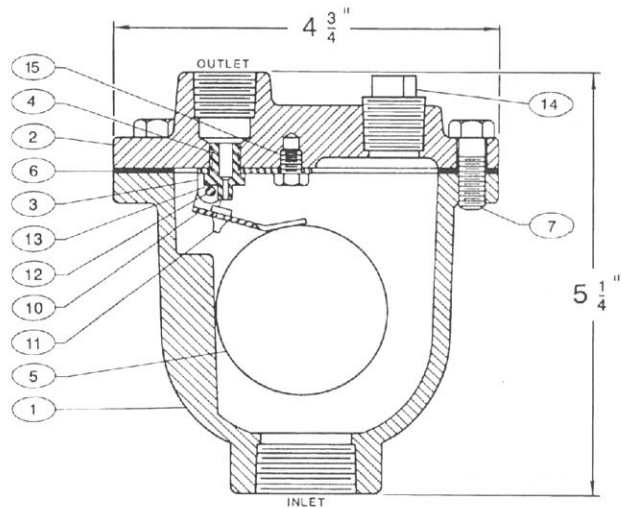


# AUTOMATIC AIR VENT VALVE

200 PSI



AV-250



Working Pressure: 200 psi

Test Pressure: 400 psi.

## MATERIAL SPECIFICATION

Part Name	Material / ASTM NO.	Part Name	Material / ASTM NO.
1. Body	Cast Iron -A126, Class B	10. Float Arm	Stainless Steel-T304, A240
2. Cover	Cast Iron -A126, Class B	11. Orifice Button	Viton
3. Lever Frame	Stainless Steel-T304, A240	12. Pivot Pin	Stainless Steel-T304, A276
4. Seat	Stainless Steel-T304, A276	13. Pin Retainer	Stainless Steel-PH 15-7 MO
5. Float	Stainless Steel-T304, A240	14. Pipe Plug 1/2"	Malleable Iron
6. Gasket	Non Asbestos	15. Locator	Stainless Steel-T18-8, A276
7. Cover Bolt	Carbon Steel-Sae Grade 5		

## DIMENSIONS - WEIGHTS

VALVE SIZE	MODEL NO.	MAX. TEMP.	MAX. SIZE	INLET SIZE	OUTLET SIZE	ORIFICE KG.	WEIGHT
1/2"	1/2"	AV-250	250°F	1/2"	1/2"	1/16"	2.5
3/4"	3/4"	AV-250	250°F	3/4"	1/2"	1/16"	2.5
1"	1"	AV-250	250°F	1"	1/2"	1/16"	2.5

### Note:

1. Material conform to relevant ASTM standard, BS standard in an approximate equivalent.
2. NPT inlet and outlet available, specify on order.

### PRESSURE AND TEMPERATURE

Nominal Pressure	:	200 psi
Hydraulic Shell Test Pressure	:	400 psi
Hydraulic Seat Test Pressure	:	250 psi
200 psi at	:	-10 to 120°C
200 psi at	:	14 to 250°F