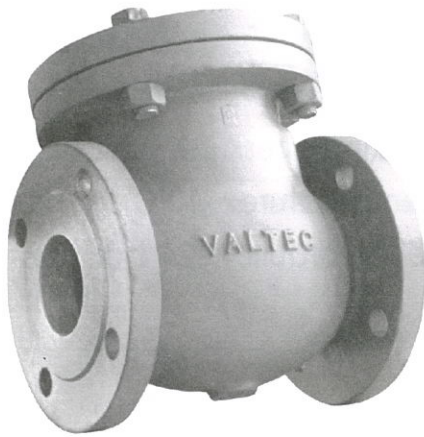




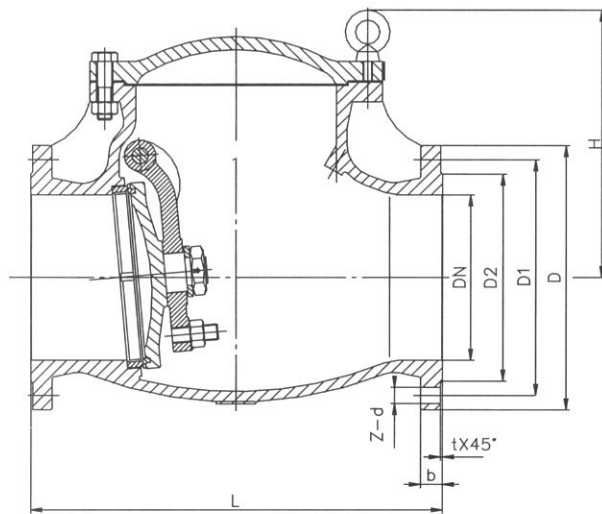
SWING CHECK VALVE

BS5153 PN16 DN50~300



CV-60400

- Flange dimensions: BS4504 PN16
- Maximum working pressure: 16 bar
- Operating temperature: -10°C to 120°C
- Test pressure (Hydraulic): 24 bar



MATERIAL SPECIFICATION

Part Name	Material
1. Body	Cast Iron
2. Seat Ring	Cast Bronze
3. Disc Seal Ring	Cast Bronze
4. Disc	Cast Iron
5. Bolt	Carbon Steel
6. Nut	Carbon Steel
7. Stainless Steel Wire	1Cr18Ni9
8. Bonnet Gasket	Graphite + Steel Plate
9. Bonnet	Cast Iron

Note: Materials conform to BS or ASTM equivalent.

DIMENSIONS - WEIGHTS

SIZE INC.	DIMENSIONS								WEIGHT KG.
	L	D	D1	D2	b	z-d	f	H	
	MM.	MM.	MM.	MM.	MM.	MM.	MM.	MM.	
2	203	165	125	99	20	4-19	3	153	18
2.5	216	185	145	118	20	4-19	3	162	21
3	241	200	160	132	22	8-19	3	176	28
4	292	220	180	156	24	8-19	3	220	40
5	330	250	210	184	26	8-19	3	226	51
6	356	285	240	211	26	8-23	3	307	68
8	495	340	295	266	30	12-23	3	325	128
10	622	405	355	319	32	12-28	3	384	199
12	698	460	410	370	32	12-28	4	426	308