



TECHNICAL DATA

SPRINKLER WRENCHES AND CABINETS

The Viking Corporation, 210 N Industrial Park Drive, Hastings MI 49058
 Telephone: 269-945-9501 Technical Services: 877-384-5464 Fax: 269-818-1680 Email: techsvcs@vikingcorp.com

For Sprinkler Models:	Use Wrench:
Frame-style sprinklers and spray nozzles	10896W/B Available since 2000 or 05000CW/B*
Wax coated sprinklers and domed concealed pendent sprinklers	13577W/B Available since 2006 replaces 07398W*
Recessed pendent sprinklers	16036W/B Available since 2011 replaces 12144W/B*
Recessed horizontal sidewall sprinklers with protective shields and domed concealed horizontal sidewall sprinklers	13655W/B Available since 2006
Coated and recessed ECOH K14 sprinkler	13032W/B Available since 2004
Standard adjustable and plain barrel dry sprinklers, K16.8 and ECOH K14 sprinklers	07297W/B Available since 1991
Recessed and domed concealed dry sprinklers	07565W/B Available since 1991
High Challenge® sprinklers, upright ESFR sprinklers, and ELO sprinklers**	05118CW/B Available since 1981
Coated, recessed, and domed concealed ELO sprinklers	11663W/B Available since 2001
Pendent K14 and K16.8 ESFR sprinklers	13635W/B double ended (use Side A) Available since 2006, or 10285W/B*
Pendent K25.2, K22.4 ESFR sprinklers and K19.6 CMSA Sprinkler VK592	13635W/B double ended (use Side B) Available since 2006, or 12143W/B*
Upright EC K25.2 sprinklers	16888M/B Available since 2011
QR and EC Concealed Sprinklers VK461, VK462, VK463, VK464, VK465, VK632, and VK634 (also optional for cap removal)	14031† Available since 2006
QR and EC Concealed Sprinklers VK461, VK462, VK463, VK464, VK465, VK632, and VK634	14047W/B (heavy duty) Available since 2006
Residential Concealed Sprinklers VK456, VK457, VK474, and VK488 (also optional for removal of protective caps)	13619† (red) Available since 2006

* Wrench no longer available. May still be used until wrench replacement is necessary.
 **ELO sprinklers manufactured before Dec. 2001 use wrench part number 07297W/B (07565W/B for coated and recessed).
 †Ideal for sprinkler cabinets.

Table 2a: Sprinkler Wrenches

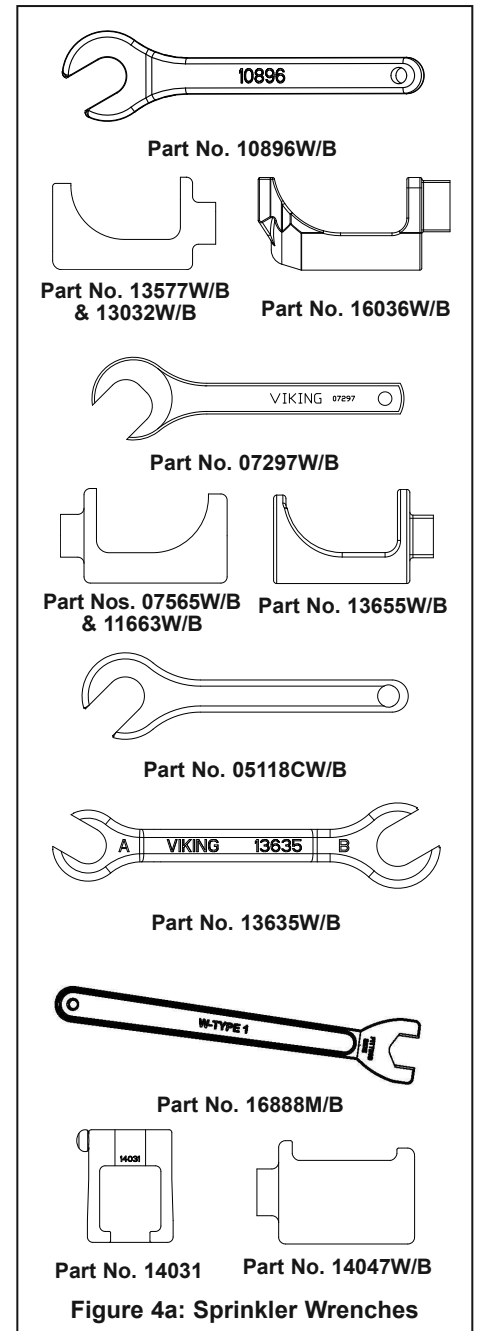


Figure 4a: Sprinkler Wrenches



TECHNICAL DATA

SPRINKLER WRENCHES AND CABINETS

The Viking Corporation, 210 N Industrial Park Drive, Hastings MI 49058

Telephone: 269-945-9501 Technical Services: 877-384-5464 Fax: 269-818-1680 Email: techsvcs@vikingcorp.com

For Sprinkler Models:	Use Wrench:
Residential Concealed Sprinklers VK456, VK457, VK474, and VK488	13623W/B (heavy duty) Available since 2006
Residential Concealed HSW Sprinkler VK480	16267† or 16208W/R (heavy duty) Available since 2010
Mirage® QR ELO Concealed Sprinklers VK636 and VK469 (also optional for removal of protective caps)	15466† Available since 2009
Mirage® QR ELO Concealed Sprinklers VK636 and VK469	15467W/B (heavy duty) Available since 2009
Mirage® Concealed and flush style sprinklers	08336W/B (heavy duty) Available since 1993
Mirage® Concealed and flush style sprinklers	10366W/B† Available since 1998
Residential Flush Pendent Sprinklers VK476 and VK478	15209W/R (heavy duty) Available since 2009
Recessed Flush Dry Sprinklers VK482	18315 (heavy duty) Available since 2014
Mirage® and Freedom® Concealed Sprinklers VK461, VK462, VK463, VK464, VK465, VK469, VK474, VK632, VK634, VK636, and VK488 (optional concealed cover installer tool)	14412†, or 14867 for the large diameter cover, Available since 2007
Shipping Cap Remover/ Escutcheon Installer (optional***)	15915† Available since 2010
Institutional style flush sprinklers (for installation of the escutcheon plate)	10551W/B Available since 1999
Institutional style flush sprinklers (spanner wrench for escutcheon plate removal)	10729 Available since 1999
***Allows removal of sprinkler caps and installation of E-1 and F-1 escutcheons on frame style pendent sprinklers from the floor. †Ideal for sprinkler cabinets.	

Table 2b: Sprinkler Wrenches

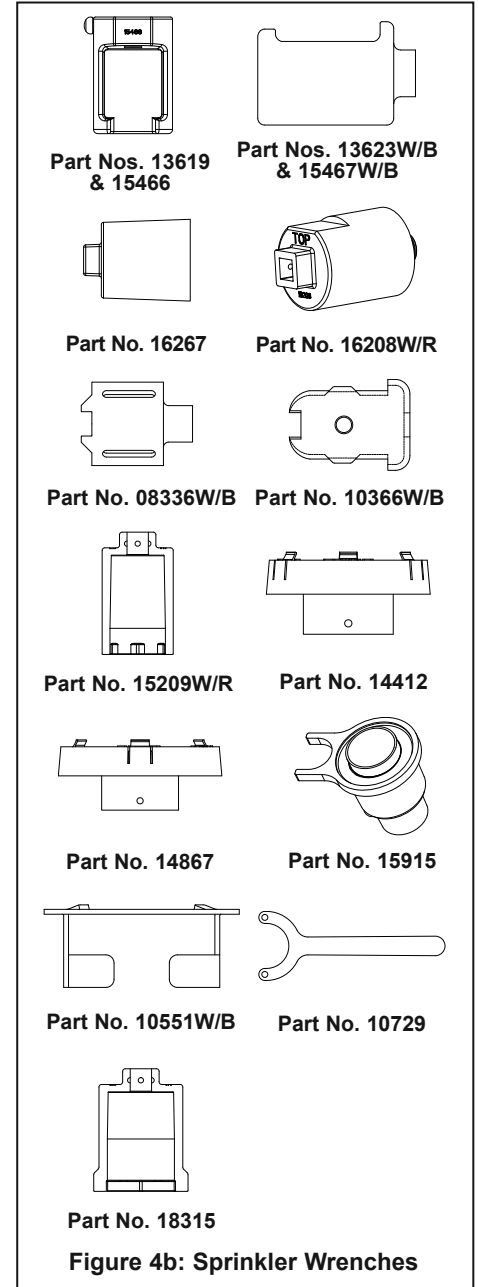


Figure 4b: Sprinkler Wrenches