

# 300 PSI OS&Y Gate Valve | Flanged Ends

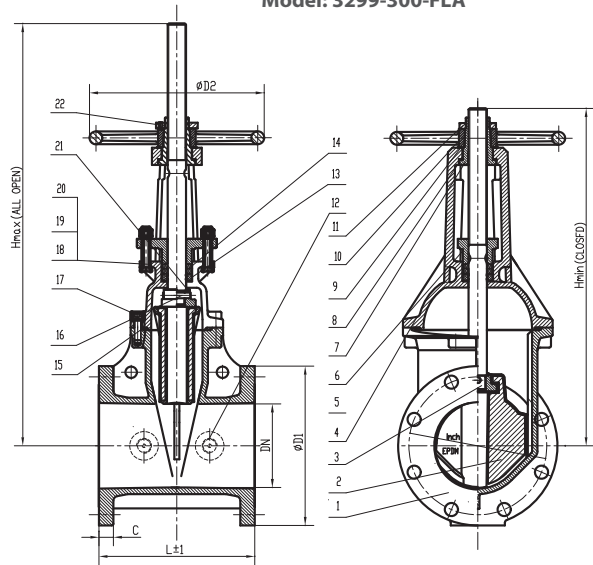
## Technical Features

- **Connections:** Flanged (ANSI B16.1 Class 125)
- **Sizes:** 2-1/2", 3", 4", 5", 6", 8", 10", 12"
- **Approvals:** UL, ULC, FM
- **Maximum Working Pressure:** 300 PSI
- **Maximum Working Temperature:** 250°F (120°C)
- **Type:** Resilient Wedge, Outside Stem & Yoke
- **Finish:** Epoxy Coated Interior and Exterior
- Pre-Grooved Stem for Supervisory Switch
- **Specifications:** Design and Dimensions Conform to AWWA C515



Model: 3299-300-FLA

Component	Material	Specification
1	Body	Ductile Iron ASTM A536 65-45-12
2	Resilient Wedge	Ductile Iron EPDM Coated ASTM A536 65-45-12 + EPDM
3	Stem	Stainless Steel AISI SS304 / SS302
4	Bonnet	Ductile Iron ASTM A536 65-45-12
5	Wedge Nut	Stainless Steel ASTM A351 CF8
6	Gland	Ductile Iron ASTM A536 65-45-12
7	Stem Nut	Bronze ASTM B62
8	Stem Nut Washer	Brass ASTM B16
9	Handwheel Washer	Brass ASTM B16
10	Handwheel	Ductile Iron ASTM A536 65-45-12
11	Handwheel Nut	Bronze ASTM B62
12	Plug	Brass ASTM B16
13	Stuffing Seal	EPDM ASTM D2000 EPDM
14	Stuffing	PTFE ASTM D4745
15	Gasket	EPDM ASTM D2000 EPDM
16	Tapper Pin	Stainless Steel ASTM SS316
17	Hex Socket Cap Screw	Steel Gr 8.8
18	Nut	Stainless Steel ASTM SS304
19	Square Bolt	Stainless Steel ASTM SS304
20	Spring Washer	Stainless Steel ASTM SS304
21	O Ring	EPDM ASTM D2000 EPDM
22	Hex Socket Cap Screw	Stainless Steel ASTM SS304



## Dimensions

Size	L	Hmax	Hmin	C	øD2	øD1	
2 1/2	mm	190	417.5	350.5	17.5	183	178
	inch	7.5	16.4	13.8	0.7	7.2	7
3	mm	203	487.5	405.5	19	253	191
	inch	8	19.2	16	0.7	10	7.5
4	mm	229	538	436	23.8	253	229
	inch	9	21.2	17.2	0.9	10	9
5	mm	254	654	528	23.8	305	254
	inch	10	25.7	20.8	0.9	12	10
6	mm	267	740	591	25.4	305	279
	inch	10.5	29.1	23.3	1	12	11
8	mm	292	935	730	28.6	355	343
	inch	11.5	36.8	28.7	1.1	14	13.5
10	mm	330	1126	871	30.2	445	406
	inch	13	44.3	34.3	1.2	17.5	16
12	mm	356	1316	1011	31.8	445	483
	inch	14	51.8	39.8	1.3	17.5	19