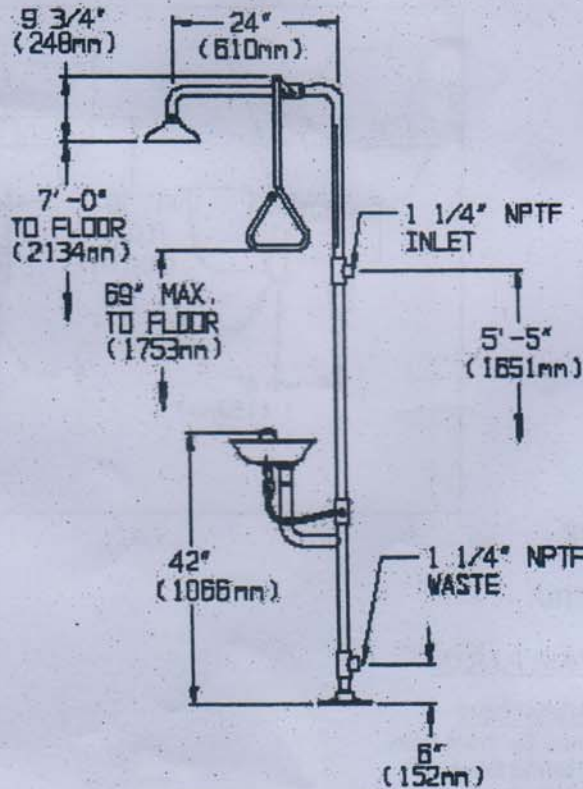


# SAFE-T-ZONE<sup>®</sup>

## EMERGENCY STATION



NOTE: PULL HANDLE SHOWN  
ROTATED 90°

### SE-693HFO

SHOWER HEAD  
VALVE

CYCOLAC YELLOW 8" DIAMETER(SE870)  
1" NPTF STAINLESS STEEL STAY-OPEN BALL VALVE  
AND ACTIVATED BY A STAINLESS STEEL  
TRIANGULAR PULL HANDLE

STANCHION

1-1/4" NPTF STAINLESS STEEL PIPE WITH  
NATURAL BRUSHED FINISH AND 9" FLOOR FLANGE

SUPPLY  
EYEWASH

1-1/4" NPTE INLET AND DRAIN  
SE 582 WITH HAND AND FOOT OPERATED

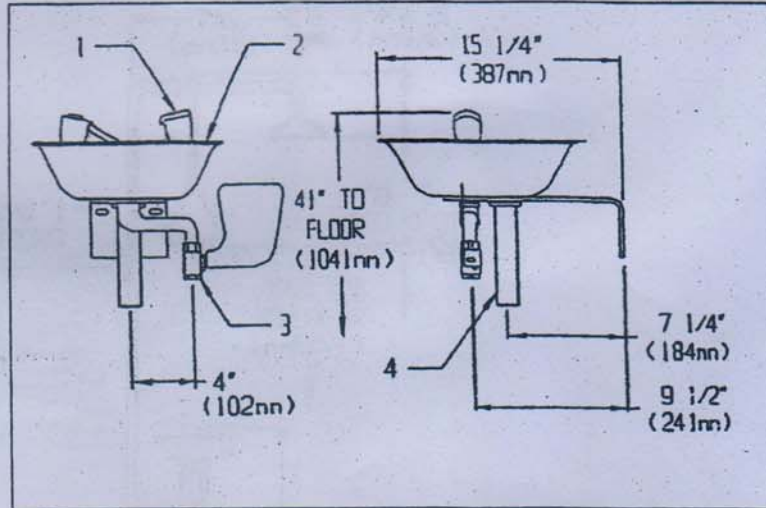


**SPEAKMAN**  
THE QUALITY LEADER SINCE 1869

## MAINTENANCE

The valve and the eyewash are the only portions of the unit that may require maintenance. Should you need parts to repair this unit, please reference the parts listing below for correct part numbers. Reference additional technical sheet (supplied) for information on the SE-910 ball valve. Before any maintenance is done *be sure to shut the water supply off.*

**WARNING:** Use only genuine Speakman parts when repairing or replacing components.  
To order parts call 1-800-537-2107.



## SE-582 REPLACEMENT/REPAIR PARTS

ITEM	PART/GROUP #	DESCRIPTION
1	G05-0714	Aerated Bullhorn Assy.
2	68-0035-MO-P	S/S Round Bowl
3	SE-910	1/2" Stay-Open Ball Valve with Paddle Handle
4	43-0642	Drain Pipe

## FLOW DATA

### EYEWASH:

FLOW PRESSURE PSI (BAR)	30 (2.07)
FLOW RATE GPM (LPM)	3.6 (13.3)

NOTE: This unit should be connected to an uninterrupted source of potable water, with a minimum flowing pressure of 30 PSI and a maximum static pressure of 125 PSI.

Note: All units meet existing ANSI Z358.1 1998 Standards And OSHA Rules. Product Improvements may cause Specification and dimensional Changes without notice.



## SPEAKMAN COMPANY

The Quality Leader Since 1869

P.O. Box 191, Wilmington, De 19899-0191 USA

1-800-537-2107, Fax: 1-800-977-2747

## **SPEAKMAN COMPANY**

### **SE-582 Installation, Maintenance & Operation Instructions EYESAVER® EYEWASH**

#### **DESCRIPTION**

Emergency eyewash, for wall mounting, supplied with stainless steel bowl, stay-open full flow ball valve; activated by stainless steel push handle; heavy duty wall mounting plate, twin spray heads with dust caps.

#### **SPECIFICATIONS**

BOWL: 300 Series Stainless Steel.  
SPRAY HEADS: (2) Brass, Chrome-plated, Aerated.  
VALVE: 1/2" NPT Female Brass, Chrome-Plated.  
ACTIVATOR: Stainless Steel Push Handle.  
INLET: 1/2" NPT Female.  
PLATE: Cold-Rolled Steel, Painted Safety Green.  
SHIPPING WEIGHT: 11 lbs.  
EMERGENCY SIGN: 7-7/8" x 7-7/8" Plastic Wall Sign.

#### **OPTIONS**

AL1 (Air Horn Alarm)	HS (Hand-held Spray)	SSBV2 (1/2" Stainless Steel Valve )
AL2 (Electrical Alarm)	PC (P - Trap )	ILS (In - Line Strainer )
AL3 (Electrical Alarm)	VPL (Vapor Proof Light)	
AL2-C1D2 (Electrical Alarm / Haz. Area)	SGN 4 (Eye Wash Floor Sign)	
AL3-C1D2 (Electrical Alarm / Haz. Area)	FPV (Anti-Freeze Protection Valve)	
FLW (Flow Switch)	SPV (Anti-Scald Protection Valve)	

#### **INSTALLATION**

Review drawing (as shown on other side) to assure proper installation. The unit should be mounted to a structural member that will ensure structural rigidity. Use appropriate wall anchors and be sure the wall bracket is level to ensure proper flow pattern and to avoid unnecessary water spillage. Connect a water supply to the unit (use pipe sealant on all joints) that is a 1/2" minimum uninterrupted source of potable water. Failure to use potable water can result in emergency units producing impure or contaminated water causing possible further injury. The drain tailpiece or waste should be connected to an adequate drain in compliance with local plumbing codes.

#### **OPERATION**

The eyewash is activated by pushing the push handle back 90°. The unit will operate until the push handle is manually pulled back up to the off position.

#### **TESTING PROGRAM**

The American National Standards Institute (ANSI) states that all safety emergency equipment shall be activated on a weekly basis to flush the line and verify proper operation. Speakman Company furnishes a testing record tag (91-0635) with each unit. On this tag the date of inspection and the inspectors initials should be noted.

# SPEAKMAN SAFE-T-ZONE EMERGENCY STATION

## **INSTALLATION :**

This unit is equipped with a cast floor flange drilled for three (3) mounting bolts. When ready to install, mark bolt holes at site and install suitable anchors.

When unit is fully assembled per instructions, place shower in position and bolt down tightly. Connect 1 1/4" supply line to inlet tee. The unit is now ready for test and operation.

## **OPERATION:**

The shower is operated by pulling down on a ring (self-closing valve) or a pull rod (ball valve). Once the valve is opened, the head will continue to discharge water until the valve is manually closed. This is done by upward pressure on the pull rod or until the ring is released on the self-closing valve.

To operate the eye or eye/face wash, push the handle to the rear of the unit. The units will continue to operate until the handle is manually pulled to the upward (off) position.

## **MAINTENANCE :**

The only portion of the units that may require maintenance are the valves. To replace the valves or seals, shut the water supply off, and reference the appropriate part sheet for the type valve you want to service.

Speakman Company furnishes a testing record tag (part # 91 -0635) with each unit. On this tag the date of inspection and the inspectors initials can be noted. Test programs should be set up on a weekly basis.

**CAUTION:** Return to *full off position following usage and/or test.*

## **FLOW PRESSURE AND RATES**

EYE WASH (1/2" BALL VALVE)	FLOW PRESSURE (PSI)	20				
	FLOW RATE (GPM)	3				
EYE/FACE WASH (1/2" BALL VALVE)	FLOW PRESSURE (PSI)	20				
	FLOW RATE (GPM)	12				
SHOWER (1" BALL VALVE)	FLOW PRESSURE (PSI)	5	10	15	20	25
	FLOW RATE (GPM)	38	62	74	86	97
SHOWER (1 " SELF-CLOSING VALVE)	FLOW PRESSURE (PSI)	10	15	25	35	40
	FLOW RATE (GPM)	25	32	42	50	54

# SPEAKMAN SAFE-T-ZONE EMERGENCY STATIONS

## ASSEMBLY PROCEDURES:

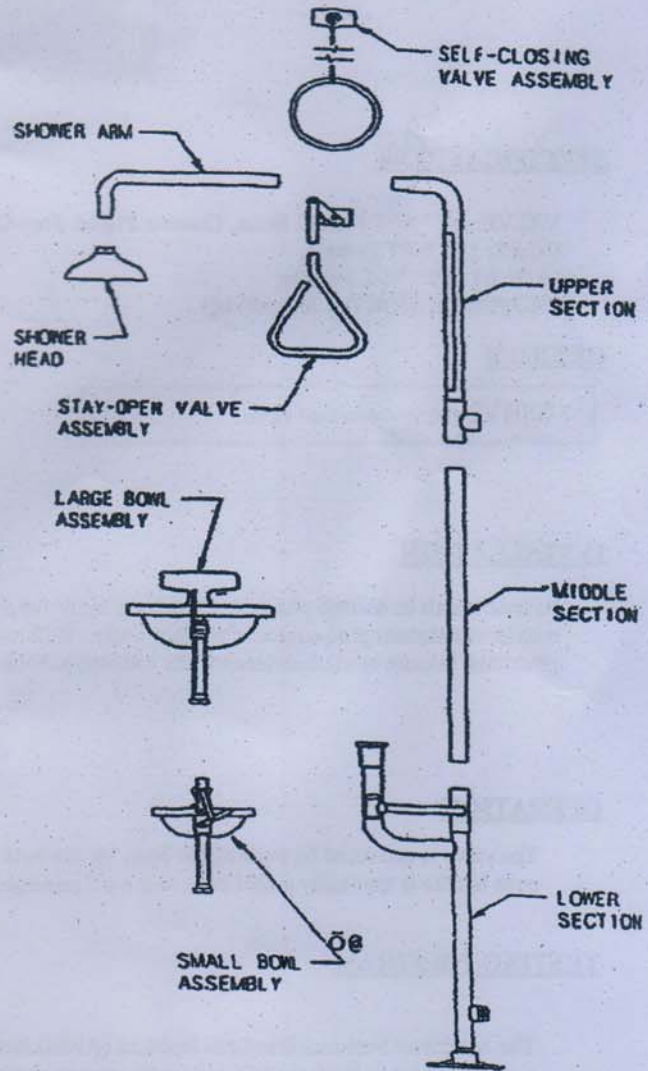
The first thing to check before assembly is the distance to your closest obstacle from the center of the stanchion (three bolt holes). If the dimension is less than 12", you should pre-assemble the (3) stanchion parts prior to floor mounting.

Providing you have clearance the best method would be to mount the bottom stanchion and assemble the rest after securing the base.

When assembling **do not** use wrenches on painted surfaces. You can use couplings and pipe to secure and gain leverage. Be sure and use pipe sealant on all threaded connections.

Review drawing to assure proper location of inlets, outlets, and accessories. The drain spud is adjustable, but in most cases it will not be necessary to adjust.

Installing the bowl for the eye or eye/face wash should be as follows:  
(1) Rest the bowl on the drain spud, and make sure the washer for the strainer union is in place and loosely assemble coupling nut. (2) Once bowl is positioned correctly on spud, apply plumbers putty to drain strainer and secure with allen wrench. (3) Tighten coupling nut the rest of the way to the line strainer.



5/94 92-0752



**SPEAKMAN**  
THE QUALITY LEADER SINCE 1869

# SPEAKMAN COMPANY

## **SE-910 Installation, Maintenance & Operation Instructions**

### **DESCRIPTION**

Stay-open ball valve for eye and eye/face washes.

### **SPECIFICATIONS**

VALVE: 1/2" NPT Female Brass, Chrome-Plated. Stay-Open Ball Valve.

INLET: 1/2" NPT Female.

OUTLET: 1/2" NPT Female.

SHIPPING WEIGHT: 1 lb. (.454 kg)

### **OPTIONS**

◇ SSBV2 (1/2" Stainless Steel Valve)

### **INSTALLATION**

Assemble unit in desired position. Connect a water supply to the unit (use pipe sealant on all joints) that is a 1/2" minimum uninterrupted source of potable water. Failure to use potable water can result in emergency units producing impure or contaminated water causing possible further injury.

### **OPERATION**

The valve is activated by pushing the push handle back 90°. The unit will continue to discharge water until the push handle is manually pulled back to the off position.

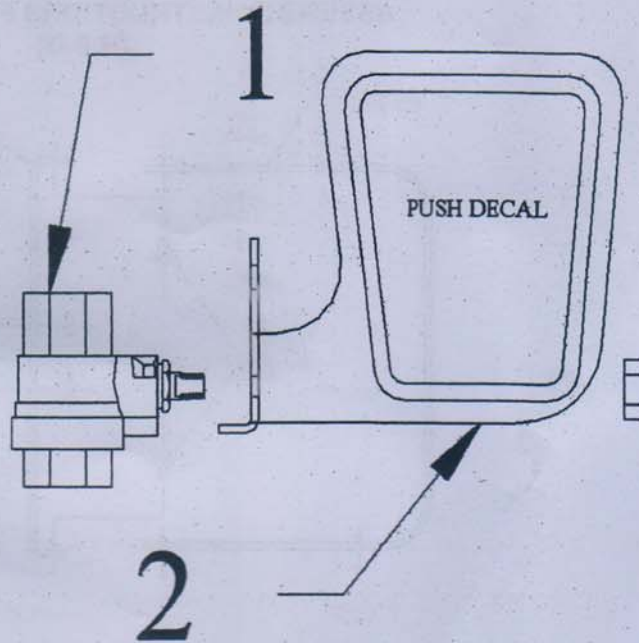
### **TESTING PROGRAM**

The American National Standards Institute (ANSI) states that all safety emergency equipment shall be activated on a weekly basis to flush the line and verify proper operation. Speakman Company furnishes a testing record tag (91-0635) with each unit. On this tag the date of inspection and the inspectors initials should be noted.

## MAINTENANCE

Should you need parts to repair this unit, please reference the parts listing below for correct part numbers. Before any maintenance is done *be sure to shut the water supply off.*

**WARNING:** Use only genuine Speakman parts when repairing or replacing components To order parts call 1-800-537-2107.



## SE-910 REPLACEMENT/REPAIR PARTS

ITEM	PART/GROUP #	DESCRIPTION
1	20-0929-SS	½" Ball Valve
2	04-0439-MO	Paddle Handle

## FLOW DATA

FLOW PRESSURE PSI (BAR)	20 (1.38)
FLOW RATE GPM (LPM)	12 (46)

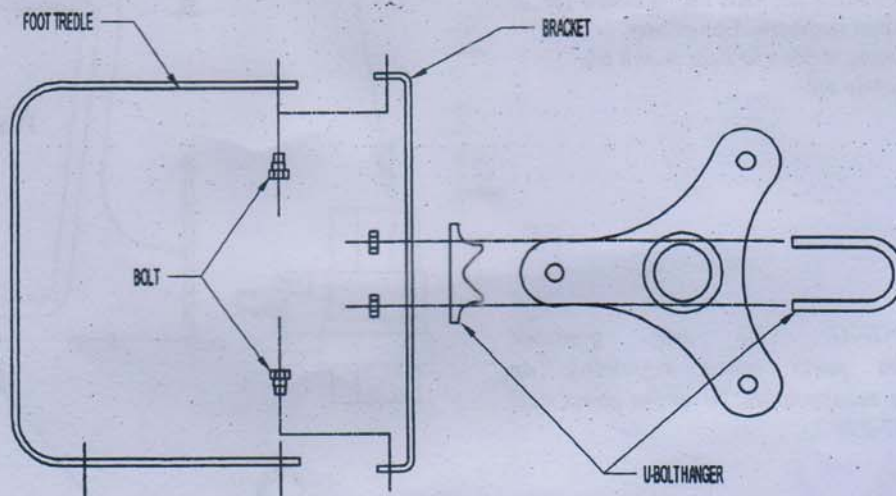
NOTE : This unit should be connected to an uninterrupted source of potable water with a minimum flowing pressure of 20 PSI and maximum static pressure of 125 PSI.



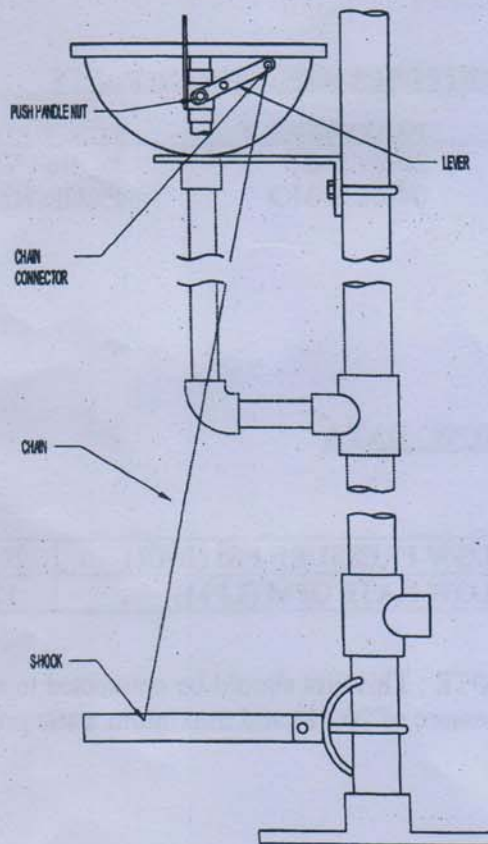
**SPEAKMAN COMPANY**  
The Quality Leader Since 1869  
P.O. Box 191, Wilmington, De 19899-0191 USA  
1-800-537-2107, Fax: 1-800-977-2747

Note: All units meet existing ANSI Z358.1 1998 Standards And OSHA Rules. Product Improvements may cause Specification and dimensional Changes without notice.

## ASSEMBLY INSTRUCTIONS FOR FOOT PEDAL (H.F.O)



1. ASSEMBLE U-BOLT HANGER AROUND STANCHION, AS SHOWN, BELOW TEE. BRACKET SHOULD FACE FORWARD AND BE PERPENDICULAR WITH CENTERLINE OF BOWL.
2. ALIGN THROUGH HOLES IN FOOT TREDLE WITH HOLES IN THE BRACKET. MAKE SURE CHAIN S-HOOK CONNECTOR HOLE IS TO THE RIGHT SIDE OF THE BOWL. INSERT AND TIGHTEN BOLTS.
3. REMOVE PUSH HANDLE NUT & HANDLE, PLACE LEVER (FLAT SIDE OUT) ON BALL VALVE SPINDLE AS SHOWN. REPLACE PUSH HANDLE AND TIGHTEN HANDLE NUT.
4. SLIP CHAIN CONNECTOR THROUGH LEVER. PUSH HANDLE TO FULL OPEN POSITION. WITH THE FOOT TREDLE RESTING ON THE FLOOR, PULL CHAIN TAUGHT AND SLIP LINK INTO CONNECTOR.
5. PULL HANDLE TO FULL OFF POSITION. THIS SHOULD RAISE THE FOOT TREDLE UP SO THAT IT IS OFF THE FLOOR. ACTIVATE BALL VALVE BY STEPPING ON TREDLE. CHECK TO MAKE SURE VALVE IS FULLY OPEN. IF NOT, ADJUST CHAIN AT CONNECTOR. ONCE ADJUSTMENTS HAVE BEEN MADE AND UNIT IS FUNCTIONING PROPERLY, REMOVE EXTRA CHAIN LINKS TO PREVENT INTERFERENCE.



### SPEAKMAN®

PO Box 191 Wilmington, DE 19899

Phone: 800-537-2107 Fax: 800-977-2747

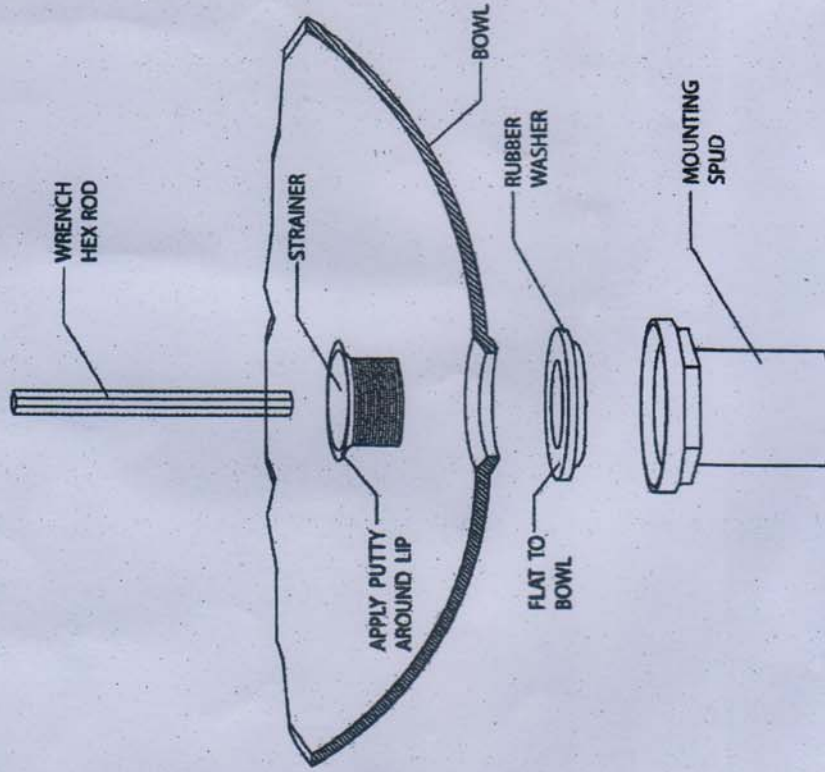
Visit us on the web at [www.speakmancompany.com](http://www.speakmancompany.com)

92-0238-R2



# BOWL ASSEMBLY INSTRUCTIONS

1. ASSEMBLE BOWL COMPONENTS AS SHOWN.
2. IF THE STAINLESS STEEL BOWL IS BEING ASSEMBLED, APPLY PLUMBERS PUTTY TO THE UNDERSIDE OF THE STRAINER LIP. PUTTY IS OPTIONAL ON THE PLASTIC BOWL.
3. SLIP THE STRAINER THROUGH THE HOLE IN THE BOWL AND SLIDE THE RUBBER WASHER OVER THE END SO THAT THE FLAT PORTION OF THE WASHER IS FACING THE BOWL.
4. HAND THREAD THE STRAINER INTO THE MOUNTING SPUD UNTIL TIGHT.
5. PROPERLY ALIGN THE BOWL TO WALL AND/OR STANCHION.
6. USING THE WRENCH HEX ROD PROVIDED, TIGHTEN THE STRAINER DOWN WHILE HOLDING THE BOWL ALIGNED.
7. WHEN COMPLETE, THE BOWL SHOULD BE RIGID AND NOT ROTATE.



**SPEAKMAN COMPANY**

The Quality Leader Since 1869  
P.O. Box 191, Wilmington, De 19899-0191 USA  
1-800-537-2107, Fax: 1-800-977-2747