



Description

Roof Fire Department outlet (male) connections, required for Class I and Class III service. Serving as a water source for the Fire Fighting Service, each outlet must be capable of supplying a minimum flow of 250 GPM and are controlled by angle or straight hose valves.

The control valve may be attached directly to the male outlet or installed in a remote position and controlled by external means.

There are no clappers or spring checks in any outlet connection.

In buildings equipped with fire pumps, these outlets or “hydrants” can be used as a fire pump test connection for conducting flow tests. Fire Dept. roof connections are a source of water to enable the Fire Fighting Service to attack a fire on or below the roof of a building.

Versions and product codes

Series	Size	Type	Finishing
A97 TWO WAY STRAIGHT CONNECTION	4" x 2 1/2"	NPT inlet (F) X Two NPT or hose thread outlets (M)	Rough brass
	6" x 2 1/2"		
A97 THREE WAY STRAIGHT CONNECTION	4" x 2 1/2"	NPT inlet (F) X Three NPT or hose thread outlets (M)	Rough brass
	6" x 2 1/2"		

Technical data

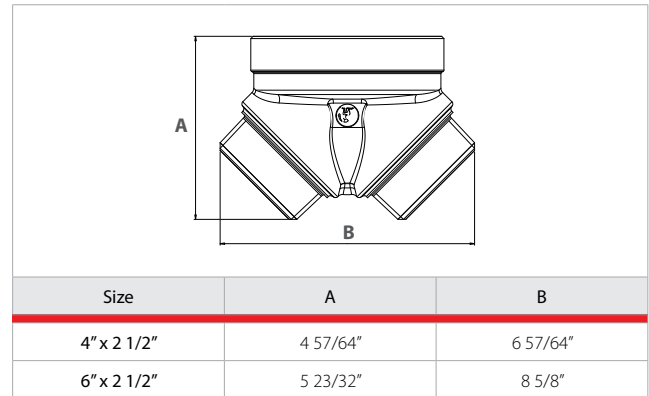
- Rated pressure: 300 PSI (20,6 bar)

Materials

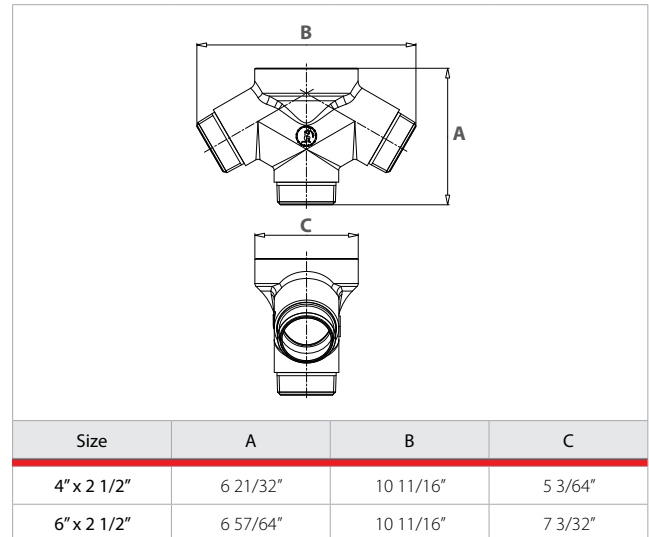
- Body: casted brass CuZn37Pb2Ni1AlFe-B in accordance with European Standard UNI EN1982-2000 CB753S, corresponding to American Standard ASTM B30 C85700
- Tensile strength of the material in the shape of bar: min. 300 MPa
- Stress for permanent distortion R(0.2): min. 150 MPa
- Elongation: min. 15 %

Dimensions

A97 - NPT INLET (F) x TWO NPT OR HOSE THREAD OUTLETS (M)



A97 - NPT INLET (F) x THREE NPT OR HOSE THREAD OUTLETS (M)



Product specifications

A97 – TWO WAY OUTLETS - 4" INLET

Exposed Fire Department connections, two ways outlet, female NPT inlet and male NPT or male hose threaded outlets, straight connection. Used as roof fire Department outlet connection or as pump test connection, with main feature as following:

- Casted brass body
- 4" female NPT inlet
- two 2-1/2" male NPT or hose thread outlets
- Rated pressure 300 psi

A97 – TWO WAY OUTLETS - 6" INLET

Exposed Fire Department connections, two ways outlet, female NPT inlet and male NPT or male hose threaded outlets, straight connection. Used as roof fire Department outlet connection or as pump test connection, with main feature as following:

- Casted brass body
- 6" female NPT inlet
- two 2-1/2" male NPT or hose thread outlets
- Rated pressure 300 psi



A97 – THREE WAY OUTLETS - 4" INLET

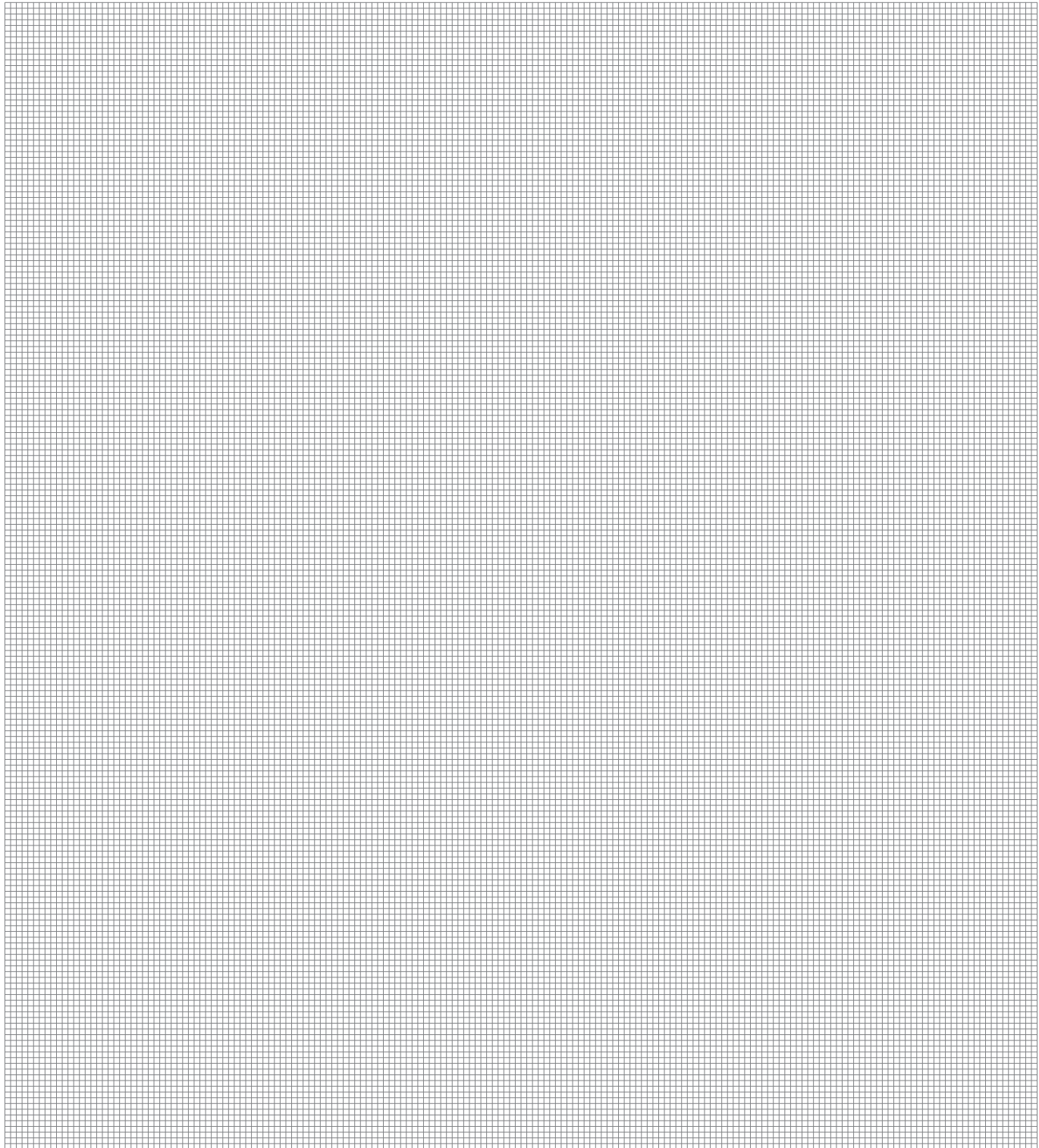
Exposed Fire Department connections, three ways outlet, female NPT inlet and male NPT or male hose threaded outlets, straight connection. Used as roof fire Department outlet connection or as pump test connection, with main feature as following

- Casted brass body
- 4" female NPT inlet
- three 2-1/2" male NPT or hose thread outlets
- Rated pressure 300 psi

A97 – THREE WAY OUTLETS - 6" INLET

Exposed Fire Department connections, three ways outlet, female NPT inlet and male NPT or male hose threaded outlets, straight connection. Used as roof fire Department outlet connection or as pump test connection, with main feature as following

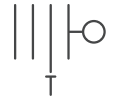
- Casted brass body
- 6" female NPT inlet
- three 2-1/2" male NPT or hose thread outlets
- Rated pressure 300 psi



Additional information

For additional information please check the website www.giacomini.com or contact the technical service: ☎ +39 0322 923372 📞 +39 0322 923255 ✉ consulenza.prodotti@giacomini.com
This pamphlet is merely for information purposes. Giacomini S.p.A. retains the right to make modifications for technical or commercial reasons, without prior notice, to the items described in this pamphlet. The information described in this technical pamphlet does not exempt the user from following carefully the existing regulations and norms on good workmanship.
Giacomini S.p.A. Via per Alzo, 39 - 28017 San Maurizio d'Opaglio (NO) Italy

A55E, A56E, A55EG, A56EG



Fire
Protection

Angle hose valves, threaded or grooved connections

Datasheet
1043EN  12/2023



A55E



A56E



A55EG



A56EG

Forged brass angle pattern hose valves, with threaded or grooved connections, intended to control the flow of the water from the main risers in standpipe systems.

Turning the handle counterclockwise the hose valve opens, allowing the water to flow out from the valve; turning the handle clockwise, the valve shuts off.

Hose valves are used with a Fire Hose Rack Assembly, or as Fire Department outlet connections.

Versions and product codes

SERIES	SIZE	TYPE
A55E	1-1/2" x 1-1/2"	NPT-F inlet x NPT-F outlet
	2-1/2" x 2-1/2"	NPT-F inlet x NPT-F outlet
A56E	1-1/2" x 1-1/2"	NPT-F inlet x HOSE THREAD-M outlet
	2-1/2" x 2-1/2"	NPT-F inlet x HOSE THREAD-M outlet
A55EG	2-1/2" x 2-1/2"	Groove inlet x NPT-F outlet
A56EG	2-1/2" x 2-1/2"	Groove inlet x HOSE THREAD-M outlet

Technical data

- Rated pressure: 300 PSI (20,6 bar)

Materials

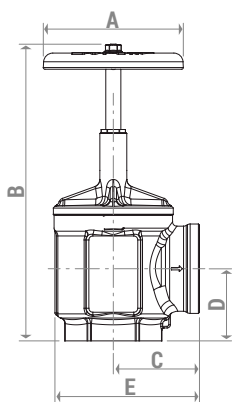
- Body: forged brass CuZn40Pb2 in accordance with European Standard EN 12165 CW617N, similar to American Standard ASTM B124 C37700
- Stopper: forged brass CuZn40Pb2 in accordance with European Standard EN 12165 CW617N, similar to American Standard ASTM B124 C37700
- Stem: brass EN 12164 CW617N 1-1/2" models; CW713R for 2-1/2" models
- Handwheel: red painted aluminum

Approvals: A55E, A56E, A55EG, A56EG



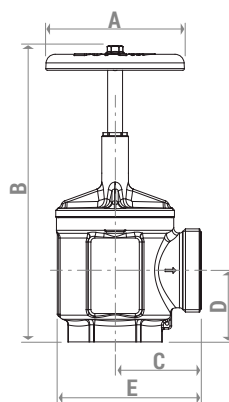
Dimensions

A55E



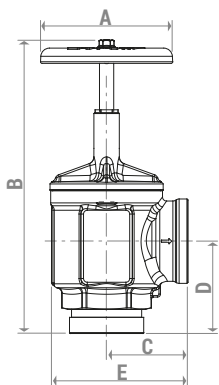
SIZE	A	B		C	D	E
		CLOSED	OPEN			
1-1/2" x 1-1/2"	4-1/32"	6-1/2"	7-19/32"	2-5/32"	1-7/8"	3-11/16"
2-1/2" x 2-1/2"	5-1/8"	8-29/32"	10-19/32"	3-5/32"	2-5/8"	5-11/32"

A56E



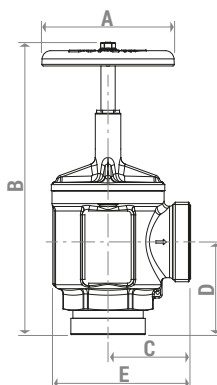
SIZE	A	B		C	D	E
		CLOSED	OPEN			
1-1/2" x 1-1/2"	4-1/32"	6-1/2"	7-19/32"	2-1/4"	1-7/8"	3-13/16"
2-1/2" x 2-1/2"	5-1/8"	8-29/32"	10-19/32"	3-3/16"	2-5/8"	5-3/8"

A55EG



SIZE	A	B		C	D	E
		CLOSED	OPEN			
2-1/2" x 2-1/2"	5-1/8"	9-25/32"	11-1/2"	3-5/32"	3-9/16"	5-11/32"

A56EG



SIZE	A	B		C	D	E
		CLOSED	OPEN			
2-1/2" x 2-1/2"	5-1/8"	9-25/32"	11-1/2"	3-3/16"	3-9/16"	5-3/8"

➤ Product specifications

A55E

Angle hose valve, used with fire hose rack assembling or as Fire Department outlet connection with main feature as following:

- Forged brass body
- Forged brass stopper
- 1-1/2" or 2-1/2" NPT female inlet
- 1-1/2" or 2-1/2" NPT female outlet
- Aluminum red painted handwheel
- Rated pressure 300 psi
- FM approved and UL, ULC listed

A55EG

Angle hose valve, used with fire hose rack assembling or as Fire Department outlet connection with main feature as following:

- Forged brass body
- Forged brass stopper
- 2-1/2" Groove inlet
- 2-1/2" NPT female outlet
- Aluminum red painted handwheel
- Rated pressure 300 psi
- FM approved and UL, ULC listed

A56E

Angle hose valve, used with fire hose rack assembling or as Fire Department outlet connection with main feature as following:

- Forged brass body
- Forged brass stopper
- 1-1/2" or 2-1/2" NPT female inlet
- 1-1/2" or 2-1/2" hose thread male outlet
- Aluminum red painted hand wheel
- Rated pressure 300 psi
- FM approved and UL, ULC listed

A56EG

Angle hose valve, used with fire hose rack assembling or as Fire Department outlet connection with main feature as following:

- Forged brass body
- Forged brass stopper
- 2-1/2" Groove inlet
- 2-1/2" hose thread male outlet
- Aluminum red painted hand wheel
- Rated pressure 300 psi
- FM approved and UL, ULC listed

⚠ Safety Warning. Installation, commissioning and periodical maintenance of the product must be carried out by qualified operators in compliance with national regulations and/or local standards. A qualified installer must take all required measures, including use of Individual Protection Devices, for his and others' safety. An improper installation may damage people, animals or objects towards which Giacomini S.p.A. may not be held liable.

♻ Package Disposal. Carton boxes: paper recycling. Plastic bags and bubble wrap: plastic recycling.

ℹ Additional information. For more information, go to giacomini.com or contact our technical assistance service. This document provides only general indications. Giacomini S.p.A. may change at any time, without notice and for technical or commercial reasons, the items included herewith. The information included in this technical sheet do not exempt the user from strictly complying with the rules and good practice standards in force.

♻ Product Disposal. Do not dispose of product as municipal waste at the end of its life cycle. Dispose of product at a special recycling platform managed by local authorities or at retailers providing this type of service.

**“Local” Brass Coupling Male Thread NPT,
Female Quick, Single twist release with Male
Cap & Chain Size 2.1/2”**

