

Bronze Globe Valve (PN20)

Screw-in Bonnet with Metal Disc



20 Bar from -10°C to 65° C
7 Bar at 230°C

THREAD ENDS CONFORM TO BS 21 TAPER THREAD (ISO 7)

MATERIAL LIST

PART	SPECIFICATION
1. Body	Cast Bronze ASTM B 584 C84400
2. Disc	1/2" - 1" - Brass ASTM B 16 C36000 1-1/4" - 2" - Cast Bronze ASTM B 584 C84400
3. Bonnet	Cast Bronze ASTM B 584 C84400
4. Lock Nut	Brass ASTM B 16 C36000
5. Stem Packing	PTFE
6. Gland	Brass ASTM B 16 C36000
7. Packing Nut	Brass ASTM B 16 C36000
8. Stem	Brass ASTM B 16 C36000
9. Handwheel	Cast Iron ASTM A 126 Class B
10. Wheel Nut	Steel
11. Name Plate	Aluminum

Pressure Testing

Shell (Water)	30 Bar
Seat (Air)	5.4 Bar

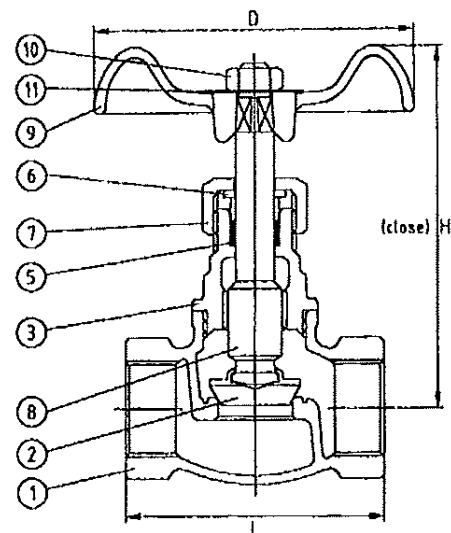
DIMENSIONS—WEIGHTS

SIZE	Dimensions				Weight
	D	H	L		
In. mm.	mm.	mm.	mm.	mm.	Kg.
1/2	15	61.0	70.0	49.0	0.27
3/4	20	68.0	70.0	55.0	0.36
1	25	77.0	87.0	64.0	0.54
1¼	32	74.0	94.0	74.0	0.82
1½	40	74.0	104.0	84.0	1.13
2	50	122.0	124.0	98.0	1.75

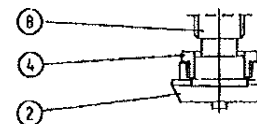
FREEZING WEATHER CAUTION: Subsequent to testing a piping system, valves should be left in an open position to allow complete drainage. Failure to follow these instructions may result in property damage.



NP 303
Threaded



NP 303



For Sizes 1-1/4" - 2"