

FIRE PROTECTION SYSTEM

PRESSURE GAUGE

| | | |
|----------------------|---|-----------------|
| BRAND | : | WEKSLER |
| COUNTRY | : | U.S.A |
| MODEL OR PRODUCT NO. | : | EA14 |
| CASE SIZE | : | 4.1/2" DIA. |
| ACCURACY | : | 1 % MIDDLE HALF |
| CONNECTION | : | 1/4" NPT. |

MATERIAL OF CONSTRUCTION

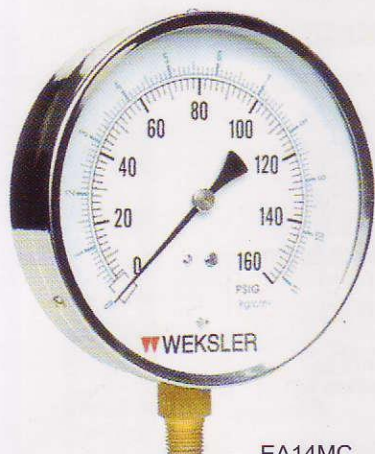
| | | |
|-----------------------|---|--------------------------|
| CASE | : | STAINLESS STEEL |
| POINTER | : | SLOTTED MICRO-ADJUSTABLE |
| DIAL | : | WHITE COATED METAL |
| MOVEMENT | : | ALL BRASS CONSTRUCTION |
| BOURDON TUBE & SOCKET | : | BRONZE BOURDON |

OPTION ACCESSORIES

- PRESSURE SNUBBER SW42 1/4"NPT, BRASS
- NEEDLE VALVE SSV4, 1/4" NPT, BRASS

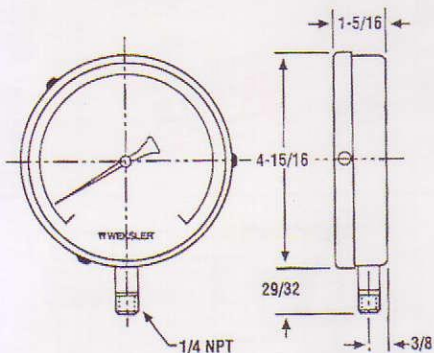
WEKSLER HVAC/Contractor Gauge

MODEL EA14



EA14MC

DIMENSIONS



STANDARD FEATURES

- 4½" corrosion resistant stainless steel case and ring, plastic window.
- Accuracy is 1% full scale.
- Balanced adjustable black pointer, adjust screw in face of instrument.
- Soft soldered phosphor bronze tube with brass socket. Suitable for steam, water, air, oil, gas or any medium not corrosive to copper alloys.
- Phosphor bronze movement.
- White dial with bold black graduations and figures.
- ¼ NPT bottom connection only.

PRESSURE RANGES

| CATALOG NO | DIAL RANGES | FIGURE INTERVALS | SMALLEST GRADUATION |
|------------|------------------------------|------------------|---------------------|
| EA142M | 0-15 psi/kg/cm ² | 1 psi | .25 psi |
| EA14MA | 0-30 psi/kg/cm ² | 5 psi | .50 psi |
| EA14MB | 0-60 psi/kg/cm ² | 10 psi | 1 psi |
| EA14MC | 0-100 psi/kg/cm ² | 10 psi | 1 psi |
| EA14MD | 0-160 psi/kg/cm ² | 20 psi | 2 psi |
| EA14ME | 0-200 psi/kg/cm ² | 20 psi | 2 psi |
| EA14MF | 0-300 psi/kg/cm ² | 50 psi | 5 psi |
| EA14MG | 0-500 psi/kg/cm ² | 50 psi | 5 psi |

VACUUM RANGES

| | | | |
|--------|-------------------|------|--------|
| EA14MH | 30"-0 /cm hg. Vac | 5 in | .50 in |
|--------|-------------------|------|--------|

COMPOUND RANGES

| | | | |
|--------|--|--------------|------------|
| EA14MJ | 30"-0-30 psi/cm hg/kg/cm ² | 10" & 5 psi | 1" & 1 psi |
| EA14MK | 30"-0-100 psi/cm hg/kg/cm ² | 15" & 10psi | 5" & 1 psi |
| EA14ML | 30"-0-150 psi/cm hg/kg/cm ² | 30" & 25 psi | 5" & 5 psi |
| EA14MM | 30"-0-300 psi/cm hg/kg/cm ² | 30" & 30 psi | 5" & 5 psi |

WEKSLER Gauge Accessories

BRASS GAUGE COCKS

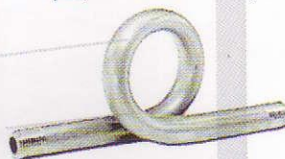
| TYPE NO. | TYPE | CONNECTIONS | MAXIMUM PRESSURE |
|----------|-----------------------|-------------|------------------|
| A10 | Tee Handle | ¼" Female | 125 psi |
| A10E | Heavy Duty Tee Handle | ¼" Female | 200 psi |
| A12 | Lever Handle | ¼" Female | 200 psi |



SIPHONS

When a gauge is to be used for steam pressures, a siphon filled with water is recommended between the line and gauge to prevent high temperature steam from entering the gauge bourdon tube.

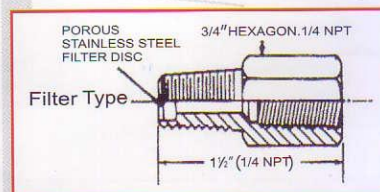
| TYPE NO. | SIZE | SIPHON MATERIAL | CAPACITY |
|----------|-------|--------------------|-------------------|
| A03I | ¼ NPT | Iron (Schedule 40) | 500 psi and 400°F |



SNUBBERS (FILTER TYPE)

Filter Type: Snubbing element consists of a ⅜" diameter x ⅜" diameter x ⅜" thick Micro Metallic stainless steel filter. When placed in the line just before the pressure gauge, the gauge pointer moves across the scale at a rate which is proportional to the pressure differential across the snubber element.

| TYPE NUMBER | GAS OR LIQUID IN PIPE LINE | PRESSURE RANGE | CONNECTION | MATERIAL |
|-------------|----------------------------|----------------|------------|----------|
| BW 41 | Air | 1,500 psi | ¼ NPT | Brass |
| BW 42 | Water-Light Oil | 1,500 psi | ¼ NPT | Brass |



BAR STOCK NEEDLE VALVES

These valves are used primarily to closely regulate fine flow. However, they may be used as a throttling device on lines where rapid and excessively pulsating pressures would tend to effect the gauge performance or mechanism.

| TYPE NO. | SIZE | MATERIAL | PRESSURE & TEMP. RATING |
|----------|-------|----------------------------------|-------------------------|
| BBV4 | ¼ NPT | Brass: For oil, water, gas, etc. | 600 psi @ 300°F |

